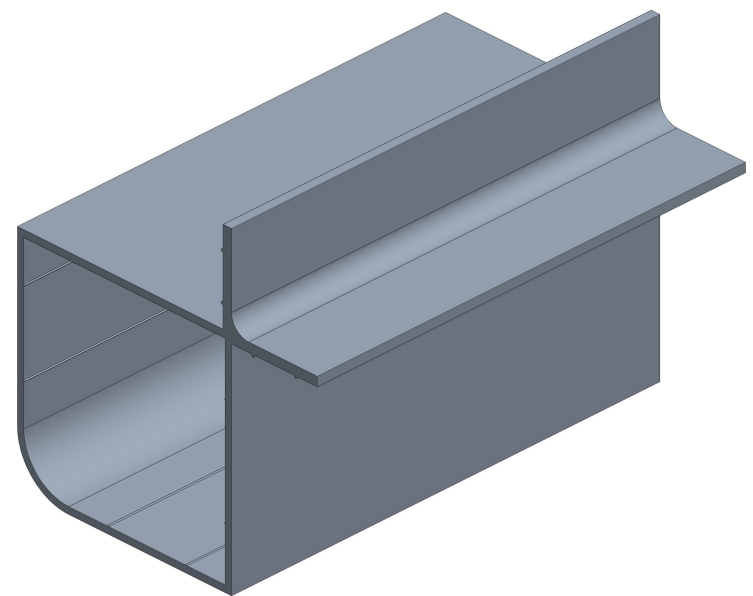
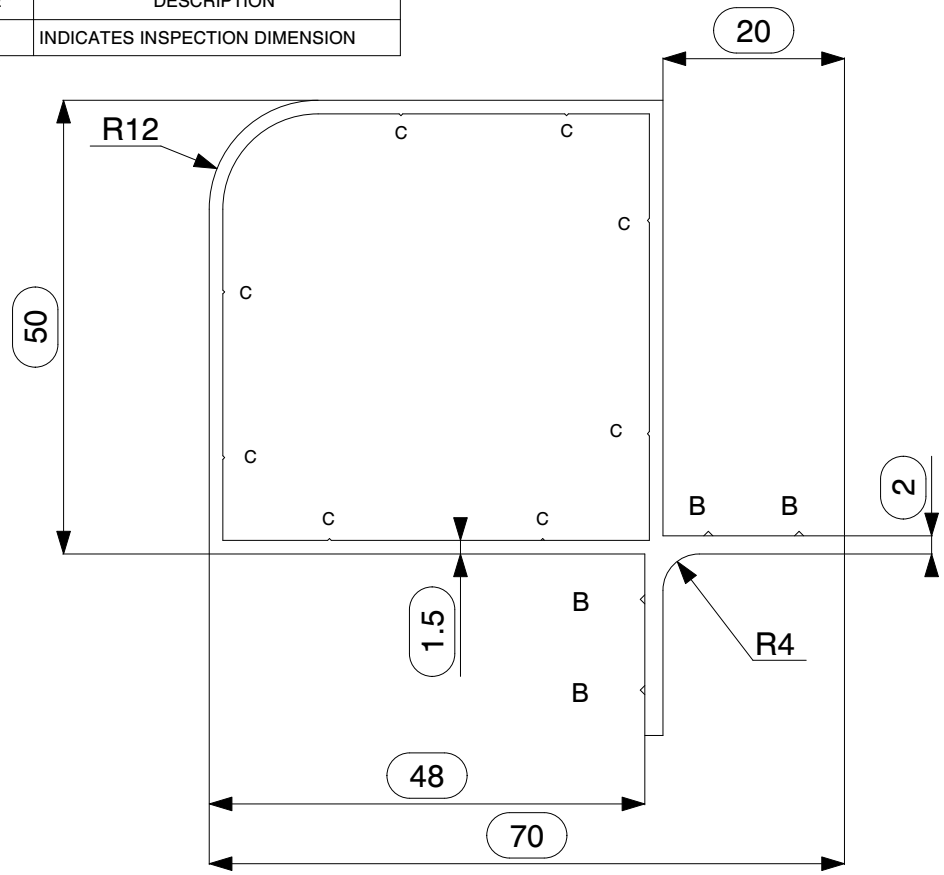



NOTE		
SL. NO.	NOTE	DESCRIPTION
1	□	INDICATES INSPECTION DIMENSION

REVISION HISTORY			
REV	DESCRIPTION	DATE	APPROVE



TOLERANCE #		APPROVALS		DATE
0.5 ~ < 10	±0.30	DRAWN	VISWA	29-01-2026
10 ~ < 25	±0.50	CHECKED	KALEEL	29-01-2026
25 ~ < 50	±0.70	APPROVED		
50 ~ < 100	±1.00	MATERIAL: EN AW 6063 - T6		
100 ~ < 150	±1.20	FINISH : MILL (Unless specified) Based on customer request on finish, below is applicable FOR ANODIZED : 5-10 MICRONS FOR POWDER COATED : 60-100 MICRONS		
THE MAXIMUM ALLOWABLE DEVIATION FOR ANY ANGLE IS ± 2°		PERIMETER: Ext : 274.79 mm Int : 184.76 mm		
TWIST ALONG THE LENGTH = 3 mm/M		AREA: 368.53 mm²		
STRAIGHTNESS = 5 mm/M		CUT LENGTH: 6000 (±10) mm		
FLATNESS : 0.008 X WIDTH		WEIGHT RANGE : 0.972 - 1.002 Kg/m		
SCALE : 1:1		ALL DIMENSIONS ARE IN mm (MILLIMETERS) UNTILL UNLESS SPECIFIED		
CORNER & FILLET RADII : < 5 - ±0.5mm > 5 - ± 10%				

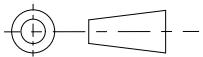


**VIVANT**<sup>®</sup>  
SOLUTIONS

VIVANT SOLUTIONS PRIVATE LIMITED,  
PLOT NO: 329, SIDCO THIRUMULLAIVOYAL,  
CHENNAI, TAMILNADU, INDIA

TITLE : NON THERAML BREAK CORNER PROFILE FOR 50-45-TYP 1 SYSTEM

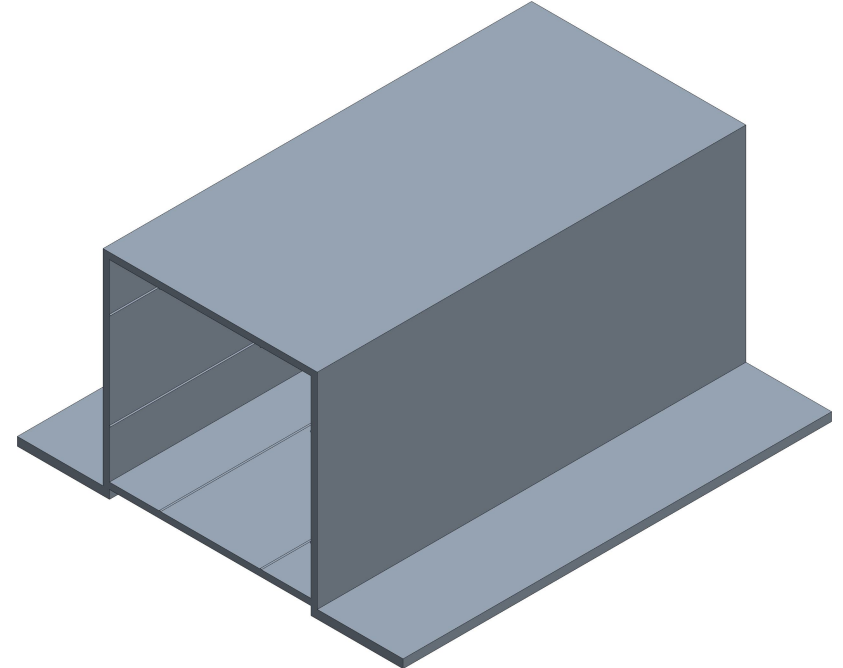
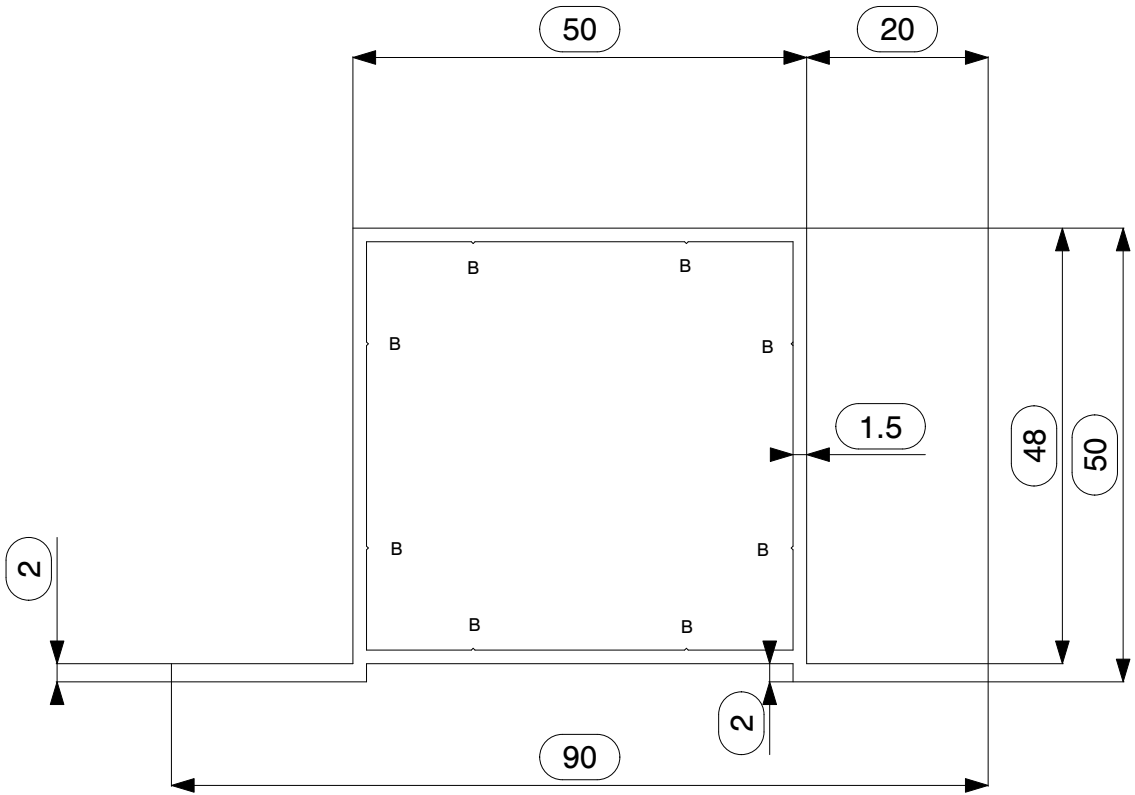
PART CODE : NTBLC-5045-TYP 1

THIRD ANGLE PROJECTION	SIZE : A4
	RIBS : B = 0.5X90° (4 PLACES) C = 0.2X90° (8 PLACES)
# REFERENCE STANDARDS - BSEN-755-9-2008	
REV : 0	


A      B      C      D      E      F      G      H      I

NOTE		
SL. NO.	NOTE	DESCRIPTION
1	□	INDICATES INSPECTION DIMENSION

REVISION HISTORY			
REV	DESCRIPTION	DATE	APPROVE



TOLERANCE #		APPROVALS		DATE
0.5 ~ < 10	±0.30	DRAWN	VISWA	29-01-2026
10 ~ < 25	±0.50	CHECKED	KALEEL	29-01-2026
25 ~ < 50	±0.70	APPROVED		
50 ~ < 100	±1.00	MATERIAL: EN AW 6063 - T6		
100 ~ < 150	±1.20	FINISH : MILL (Unless specified) Based on customer request on finish, below is applicable FOR ANODIZED : 5-10 MICRONS FOR POWDER COATED : 60-100 MICRONS		
THE MAXIMUM ALLOWABLE DEVIATION FOR ANY ANGLE IS ± 2°		PERIMETER: Ext : 284.00 mm Int : 185.32 mm		
TWIST ALONG THE LENGTH = 3 mm/M		AREA: 371.32 mm <sup>2</sup>		
STRAIGHTNESS = 5 mm/M		CUT LENGTH: 6000 (±10) mm		
FLATNESS : 0.008 X WIDTH		WEIGHT RANGE : 0.84 - 1.14 Kg/m		
SCALE : 1:1		ALL DIMENSIONS ARE IN mm (MILLIMETERS) UNTILL UNLESS SPECIFIED		
CORNER & FILLET RADII : < 5 - ±0.5mm > 5 - ± 10%				

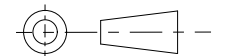


**VIVANT**<sup>®</sup>  
SOLUTIONS

VIVANT SOLUTIONS PRIVATE LIMITED,  
PLOT NO: 329, SIDCO THIRUMULLAIVOYAL,  
CHENNAI, TAMILNADU, INDIA

TITLE : NON THERMAL BREAK OMEGA PROFILE FOR 50-45-TYPE-1 SYSTEM

PART CODE : NTBALO-5045-TYPE-1

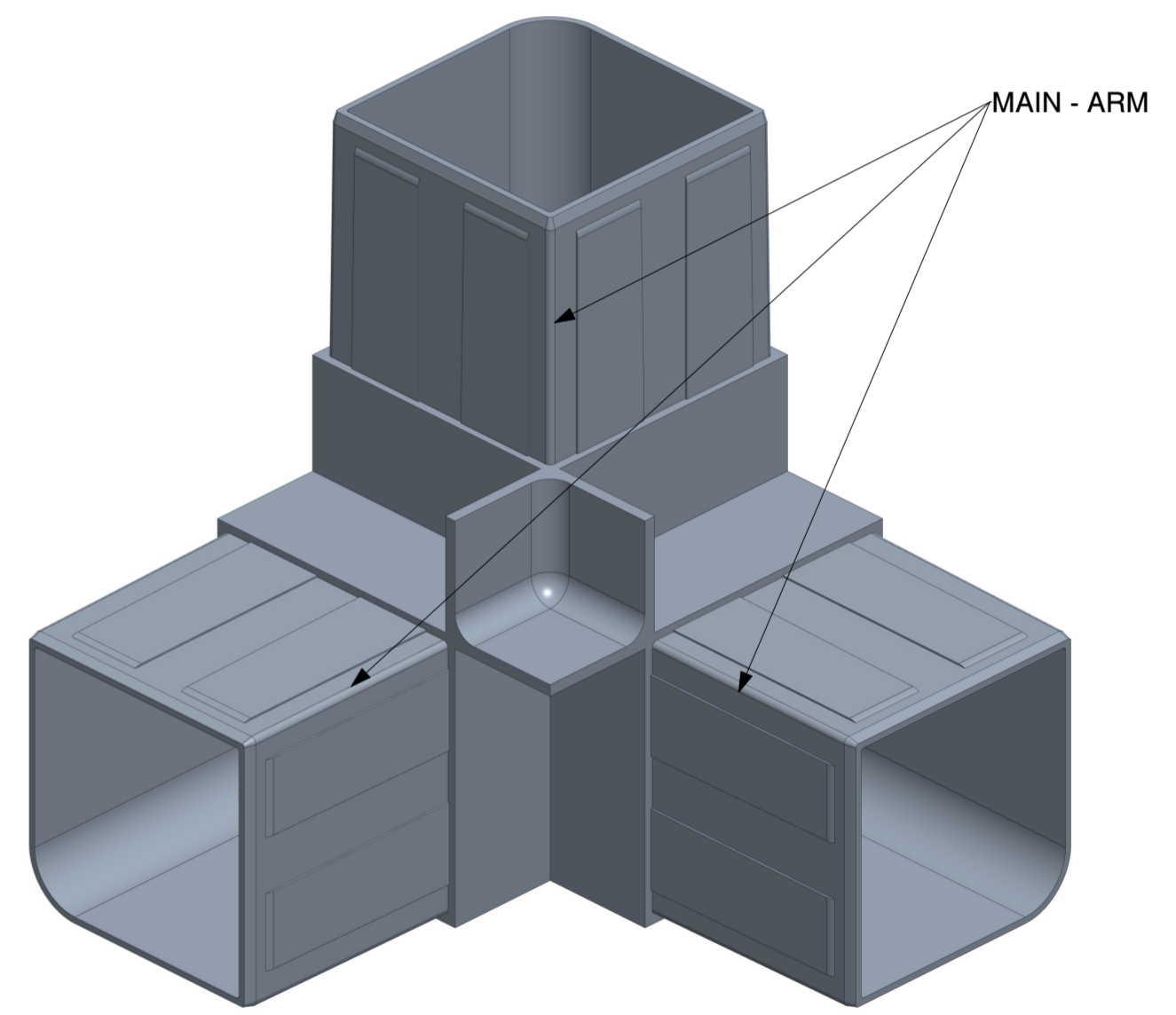
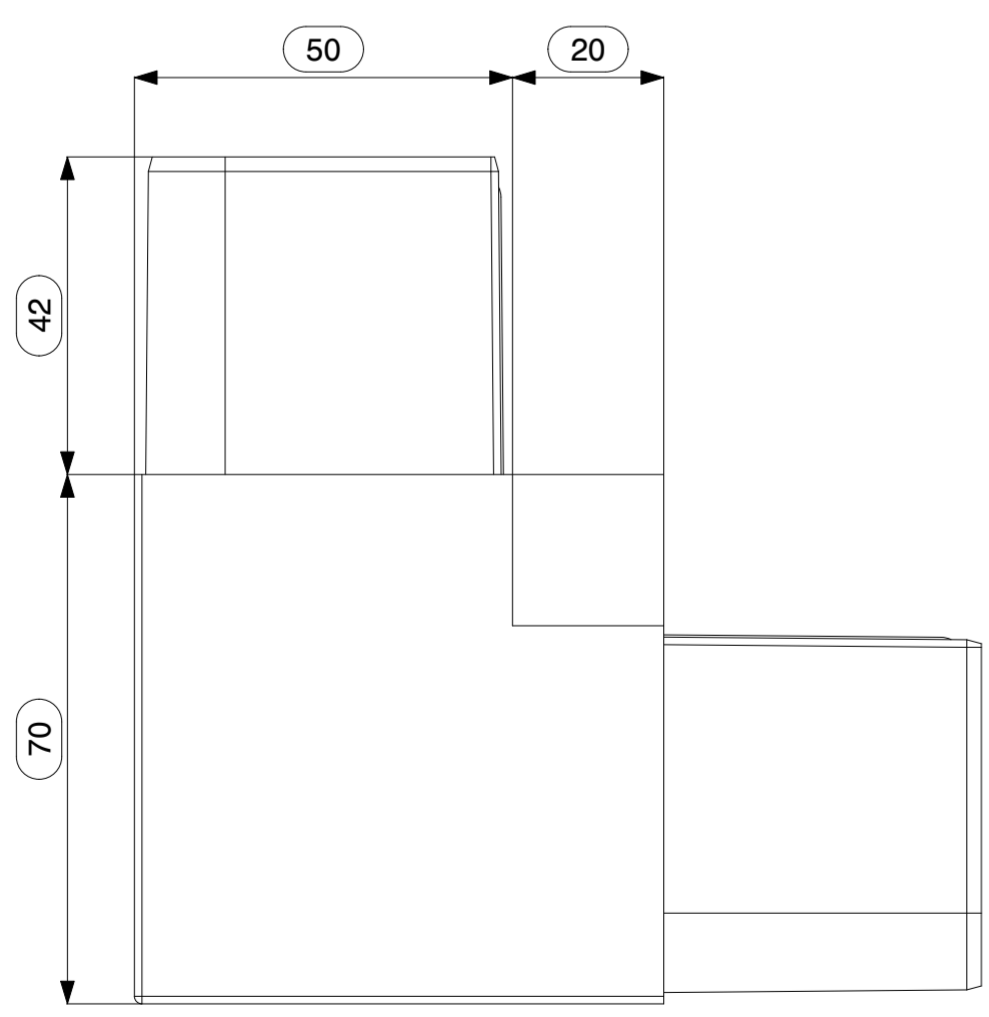
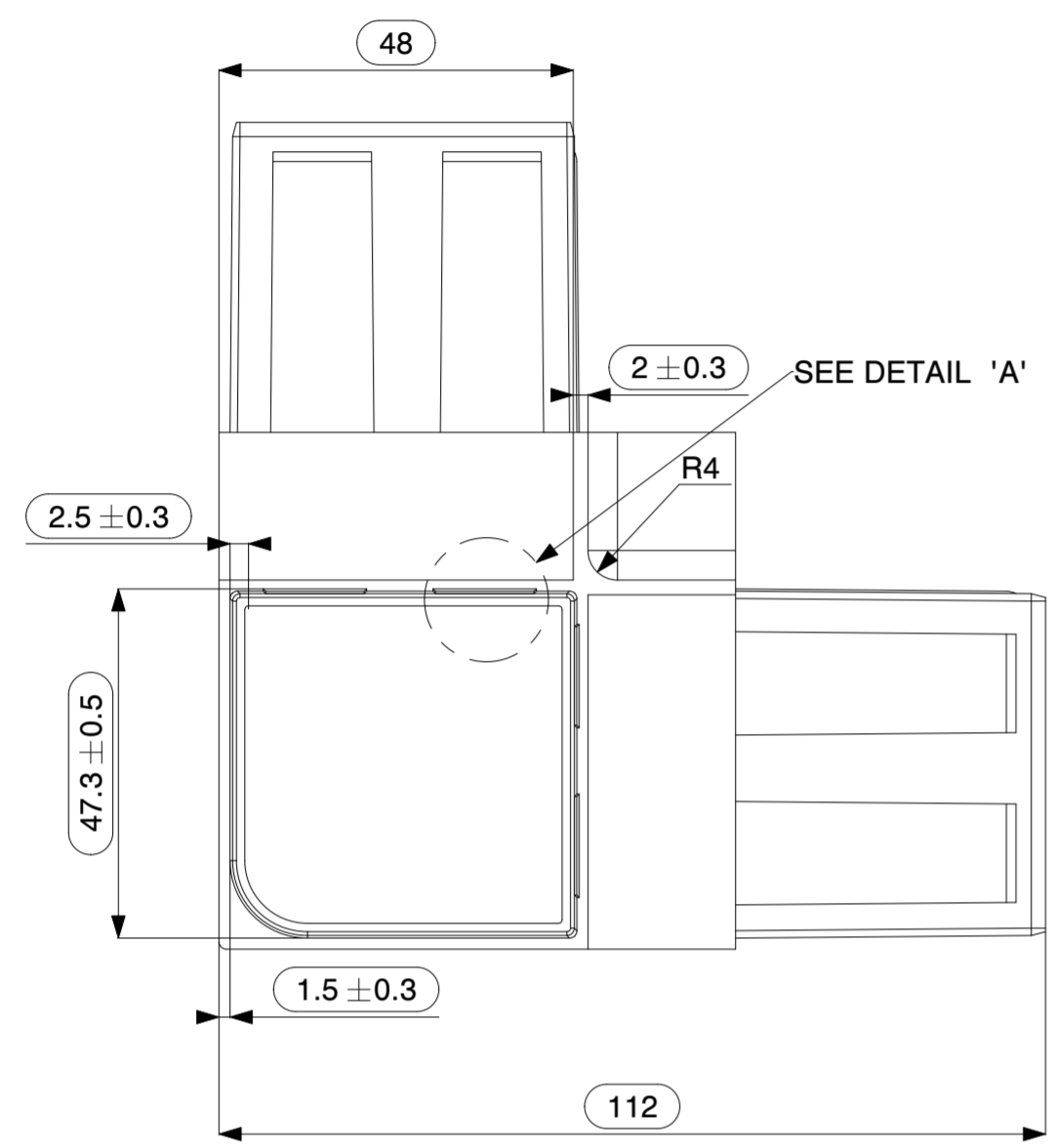
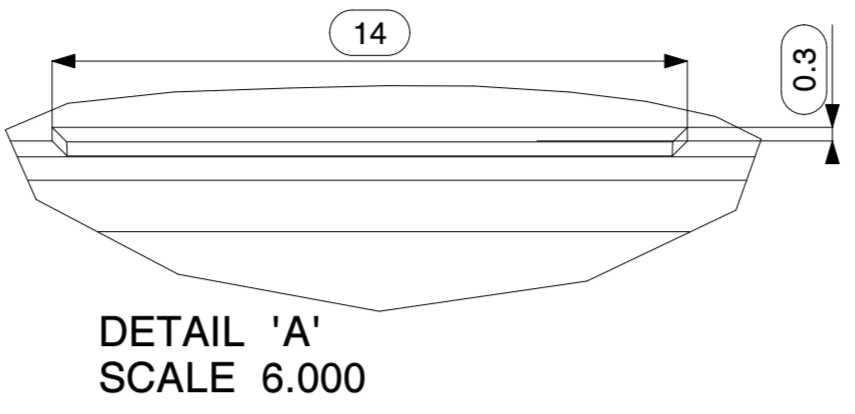
THIRD ANGLE PROJECTION	SIZE : A4
	RIBS : B = 0.2X90° (8 PLACES)

# REFERENCE STANDARDS - BSEN-755-9-2008      REV : 0

A      B      C      D      E      F      G      H      I

NOTE		
SL. NO.	NOTE	DESCRIPTION
1	□	INDICATES INSPECTION DIMENSION

REVISION HISTORY			
REV	DESCRIPTION	DATE	APPROVE



TOLERANCE #		APPROVALS		DATE
0.5 - < 11	± 0.30	DRAWN	VISWA	25-10-2023
11 - < 51	± 0.50	CHECKED	KALEEL	20-01-2026
51 - < 80	± 0.70	APPROVED		
80 - < 120	± 1.00	MATERIAL: PA6 GF 30%		
> 120	± 1.20	WEIGHT RANGE : 151 - 171 grams		
-	-	COLOUR : BLACK		
-	-	THIRD ANGLE PROJECTION		
-	-			
-	-			
WARPAGE = ± 5 mm				
THE MAXIMUM ALLOWABLE DEVIATION FOR ANY ANGLE IS ± 2°		ALL DIMENSIONS ARE IN mm (MILLIMETERS)		

**VIVANT SOLUTIONS**  
 VIVANT SOLUTIONS PRIVATE LIMITED,  
 PLOT NO: 329, SIDCO THIRUMULLAIVOYAL,  
 CHENNAI, TAMILNADU, INDIA

**TITLE: 3 - WAY NON THERMAL BREAK NYLON CORNER FOR 50-45-TYPE1 SYSTEM**

**PART NO: NTBNYC-50-45-TYPE1**

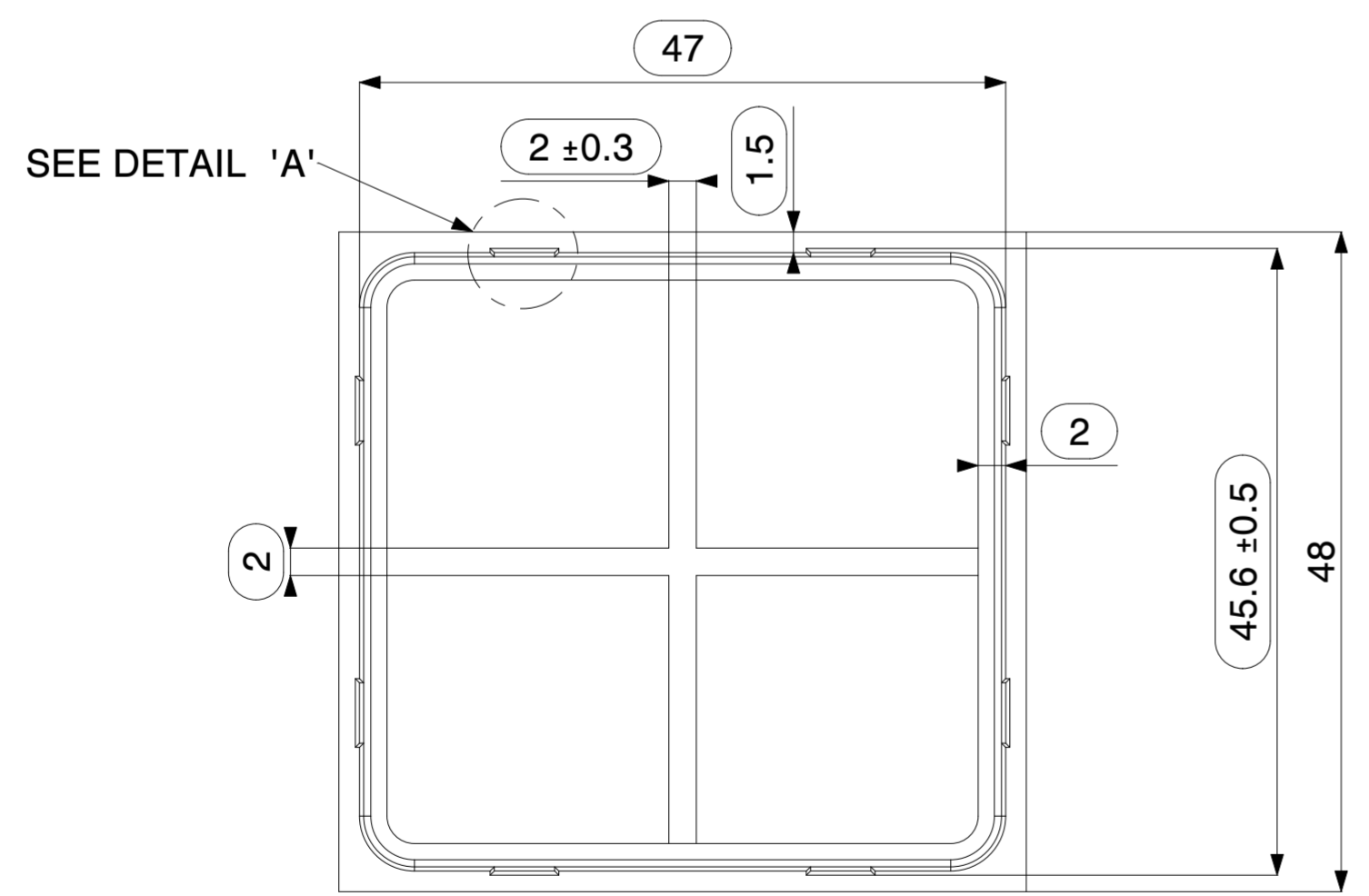
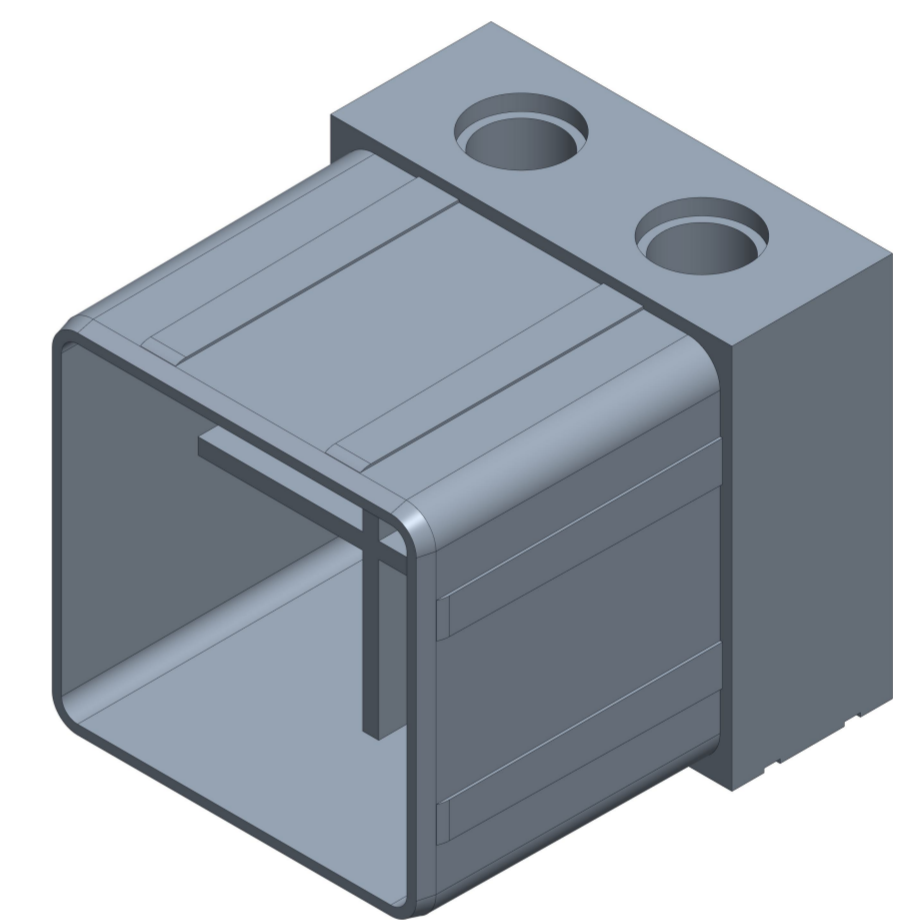
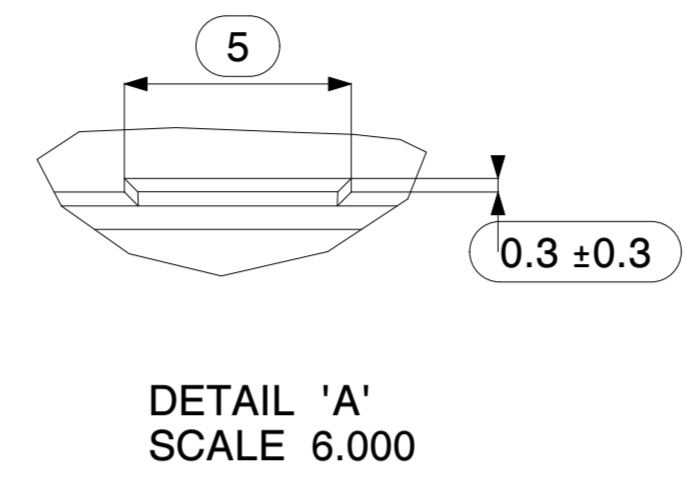
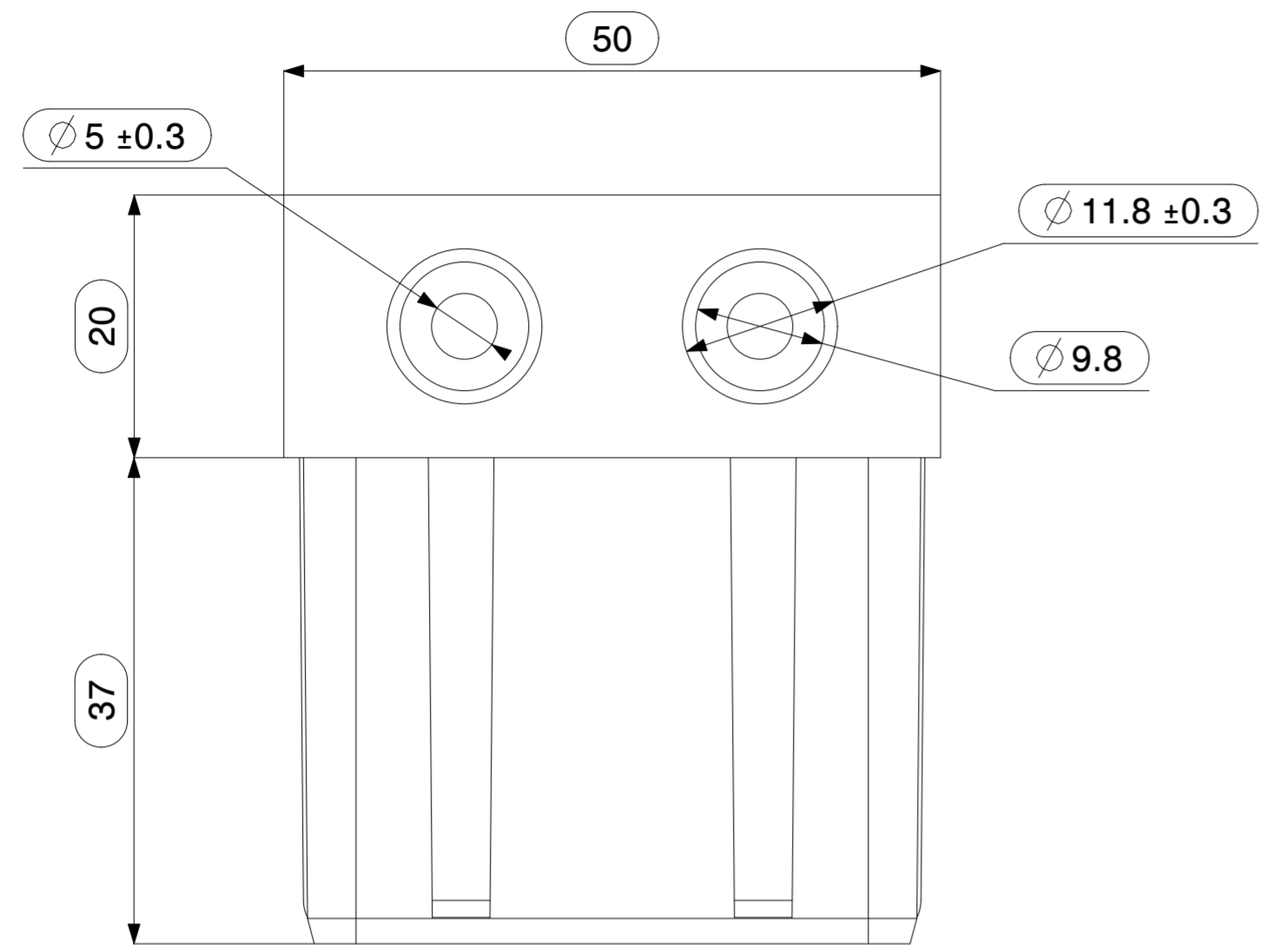
**FINISH : SHOT BLASTING**

SIZE : A2	SCALE : 1:1,6:1	REV : 0
-----------	-----------------	---------


# REFERENCE STANDARDS : ISO 286 - IT 13

NOTE		
SL. NO.	NOTE	DESCRIPTION
1	□	INDICATES INSPECTION DIMENSION

REVISION HISTORY			
REV	DESCRIPTION	DATE	APPROVE



TOLERANCE #		APPROVALS		DATE
0.5 - < 11	± 0.30	DRAWN	VISWA	25-10-2023
11 - < 51	± 0.50	CHECKED	KALIL	20-01-2026
51 - < 80	± 0.70	APPROVED		
80 - < 120	± 1.00	MATERIAL: PA6 GF 30%		
> 120	± 1.20	WEIGHT RANGE : 44 - 64 grams		
-	-	COLOUR : BLACK		
-	-	THIRD ANGLE PROJECTION		
-	-			
-	-			
WARPAGE = ± 5 mm				
THE MAXIMUM ALLOWABLE DEVIATION FOR ANY ANGLE IS ± 2°		ALL DIMENSIONS ARE IN mm (MILLIMETERS)		

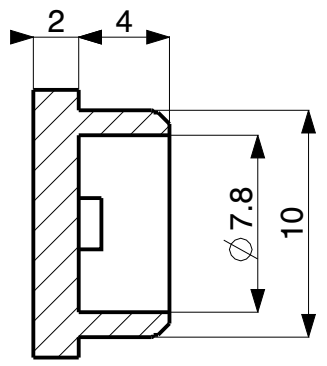
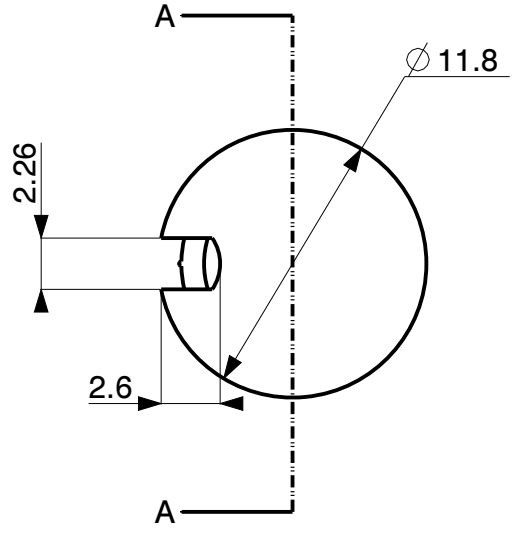
  
**VIVANT SOLUTIONS**  
 VIVANT SOLUTIONS PRIVATE LIMITED,  
 PLOT NO: 329, SIDCO THIRUMULLAIVOYAL,  
 CHENNAI, TAMILNADU, INDIA

TITLE: NON THERMAL BREAK NYLON OMEGA FOR 50-45-TYP1 SYSTEM  
 PART NO: NTBNO-50-45-TYP1  
 FINISH : SHOT BLASTING

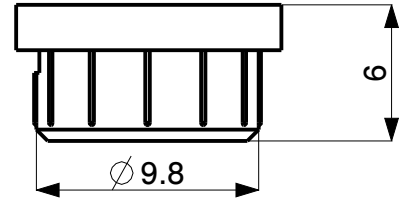
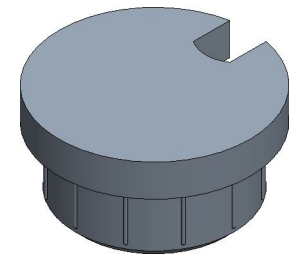
SIZE : A2      SCALE : 1:5, 2:1, 6:1      REV : 0  
 # REFERENCE STANDARDS : ISO 286 - IT 13

MANUFACTURING NOTE		
SL. NO.	NOTE	DESCRIPTION
1	□	INDICATES INSPECTION DIMENSION

REVISION HISTORY			
REV	DESCRIPTION	DATE	APPROVE
1	ADDITION OF RIBS IN INTERNAL DIAMETER	27/02/2019	FOUZAN



SECTION A-A



TOLERANCE #		APPROVALS		DATE
0.5 - < 11	± 0.30	DRAWN	DHANASEKAR	02-04-2026
11 - < 51	± 0.50	CHECKED	VISWA	02-04-2026
51 - < 80	± 0.70	APPROVED	KALEEL	
80 - < 120	± 1.00	MATERIAL: PA6 GF 30%		
> 120	± 1.20	WEIGHT : 0.42 grams		
-	-	COLOUR : BLACK		
-	-	THIRD ANGLE PROJECTION		
-	-			
-	-			
-	-			
-	-			
WARPAGE = ± 5 mm				
THE MAXIMUM ALLOWABLE DEVIATION FOR ANY ANGLE IS ± 2°		ALL DIMENSIONS ARE IN mm (MILLIMETERS) UNTILL UNLESS SPECIFIED		

**VIVANT SOLUTIONS**  
 VIVANT SOLUTIONS PRIVATE LIMITED,  
 PLOT NO: 329, SIDCO THIRUMULLAIVOYAL,  
 CHENNAI, TAMILNADU, INDIA

TITLE : NON THERMAL BREAK OMEGA JOINTER CAP FOR 50-45-TYP1		
PART CODE : NTB-NYOJC-50-45-TYP1		
FINISH : SHOT BLASTING		
SIZE : A4	SCALE : 3:1	REV : 1
# REFERENCE STANDARDS - ISO 286 - IT 13		