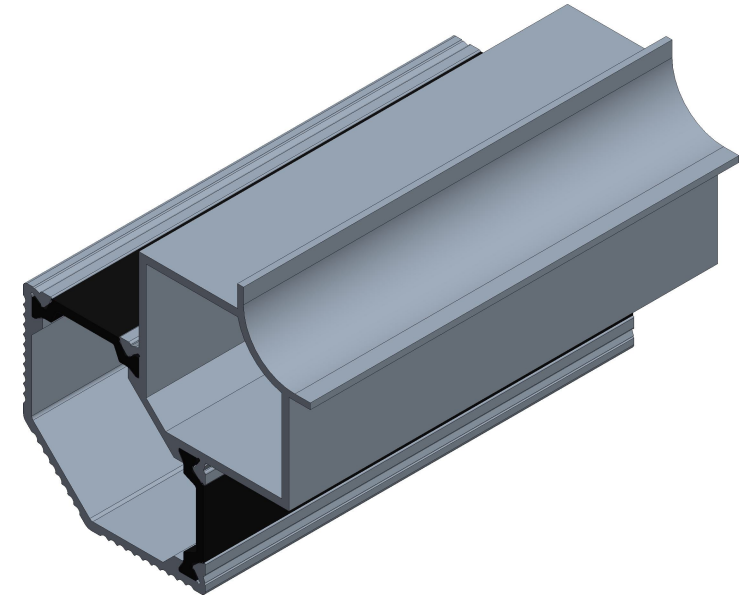
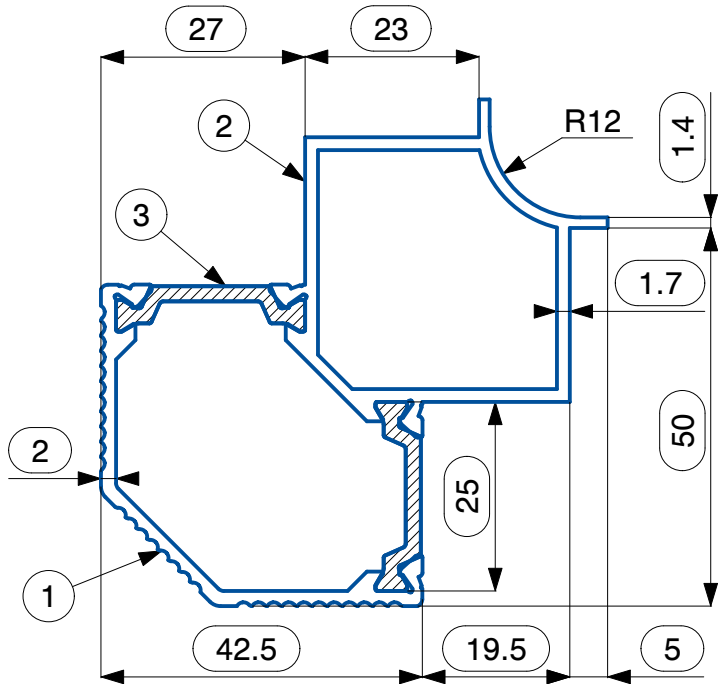



NOTE		
SL. NO.	NOTE	DESCRIPTION
1	☐	INDICATES INSPECTION DIMENSION

REVISION HISTORY			
REV	DESCRIPTION	DATE	APPROVE



TOLERANCE #		APPROVALS		DATE
0.5 ~ < 10	±0.30	DRAWN	VISWA	27-01-2026
10 ~ < 25	±0.50	CHECKED	KALEEL	28-01-2026
25 ~ < 50	±0.70	APPROVED		
50 ~ < 100	±1.00	MATERIAL: EN AW 6063 - T6		
100 ~ < 150	±1.20	FINISH : MILL (Unless specified) Based on customer request on finish, below is applicable FOR ANODIZED : 5-10 MICRONS FOR POWDER COATED : 60-100 MICRONS		
THE MAXIMUM ALLOWABLE DEVIATION FOR ANY ANGLE IS ± 2°		PERIMETER: Ext : 232.62 mm    AREA: 551.66 mm² Int : -		
TWIST ALONG THE LENGTH = 3 mm/M		CUT LENGTH: 6000 (±10) mm		
STRAIGHTNESS = 5 mm/M		WEIGHT RANGE : 1.14 - 1.44 Kg/m		
FLATNESS : 0.008 X WIDTH		ALL DIMENSIONS ARE IN mm (MILLIMETERS) UNTILL UNLESS SPECIFIED		
SCALE : 1:1		# REFERENCE STANDARDS - BSEN-755-9-2008		
CORNER & FILLET RADII : < 5 - ±0.5mm > 5 - ± 10%		REV : 0		




**VIVANT SOLUTIONS**

VIVANT SOLUTIONS PRIVATE LIMITED,  
PLOT NO: 329, SIDCO THIRUMULLAIVOYAL,  
CHENNAI, TAMILNADU, INDIA

TITLE : THERAML BREAK CORNER PROFILE SERATION ASSEMBLY FOR 42-50 SYSTEM

PART CODE : TBALC-4250-SR

THIRD ANGLE PROJECTION      SIZE : A4

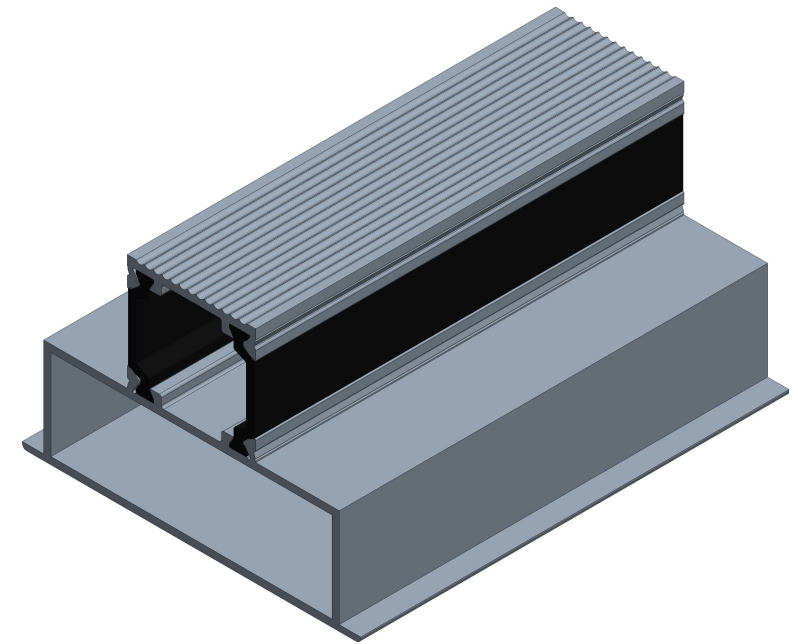
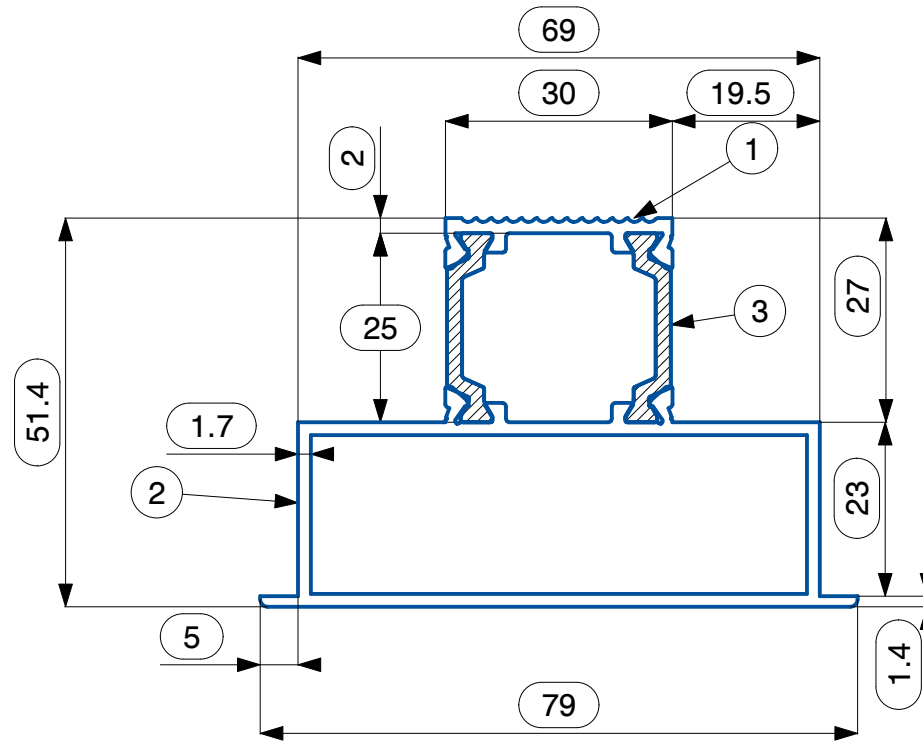


RIBS :  
B = -

NAME	DESCRIPTION	PART NO.	CODE
3	42-50-SR THERMAL BREAK POLY 25-C	VSPL/AHU/1025	TBPL-25-C
2	42-50-SR THERMAL BREAK CORNER INNER	VSPL/AHU/5014	TBALCI-42-50-SR
1	42-50-SR THERMAL BREAK CORNER OUTER	VSPL/AHU/5012	TBALCO-42-50-SR

NOTE		
SL. NO.	NOTE	DESCRIPTION
1	☐	INDICATES INSPECTION DIMENSION

REVISION HISTORY			
REV	DESCRIPTION	DATE	APPROVE



TOLERANCE #		APPROVALS		DATE
0.5 ~ < 10	±0.30	DRAWN	VISWA	21-01-2026
10 ~ < 25	±0.50	CHECKED	KALEEL	22-01-2026
25 ~ < 50	±0.70	APPROVED		
50 ~ < 100	±1.00	MATERIAL: EN AW 6063 - T6		
100 ~ < 150	±1.20	FINISH : MILL (Unless specified) Based on customer request on finish, below is applicable FOR ANODIZED : 5-10 MICRONS FOR POWDER COATED : 60-100 MICRONS		
THE MAXIMUM ALLOWABLE DEVIATION FOR ANY ANGLE IS ± 2°		PERIMETER: Ext : 233.89 mm    AREA: 560.75 mm² Int : -		
TWIST ALONG THE LENGTH = 3 mm/M		FLATNESS : 0.008 X WIDTH		
STRAIGHTNESS = 5 mm/M		SCALE : 1:1		
CORNER & FILLET RADII : < 5 - ±0.5mm > 5 - ± 10%		CUT LENGTH: 6000 (±10) mm		
ALL DIMENSIONS ARE IN mm (MILLIMETERS) UNTILL UNLESS SPECIFIED		WEIGHT RANGE : 1.17 - 1.47 Kg/m		



VIVANT SOLUTIONS PRIVATE LIMITED,  
PLOT NO: 329, SIDCO THIRUMULLAIVOYAL,  
CHENNAI, TAMILNADU, INDIA

TITLE : THERAML BREAK OMEGA SERATION PROFILE ASSEMBLY FOR 42-50 SYSTEM

PART CODE : TBALO-4250-SR

THIRD ANGLE PROJECTION

SIZE : A4



RIBS :  
B = -

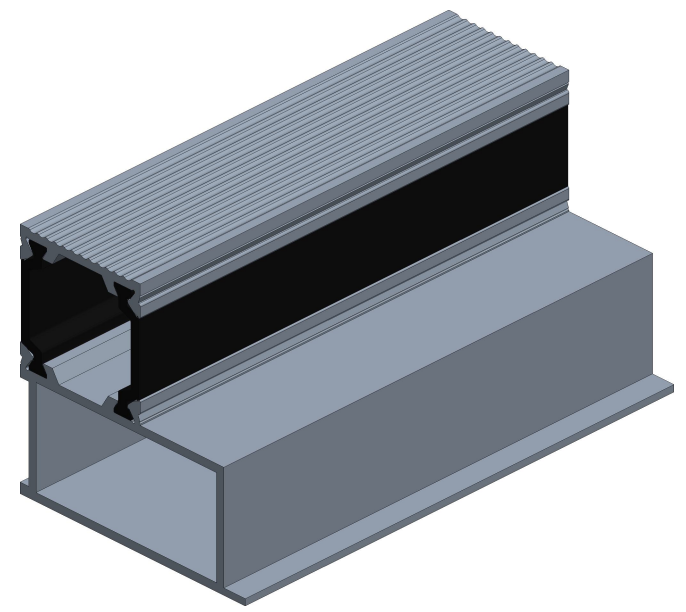
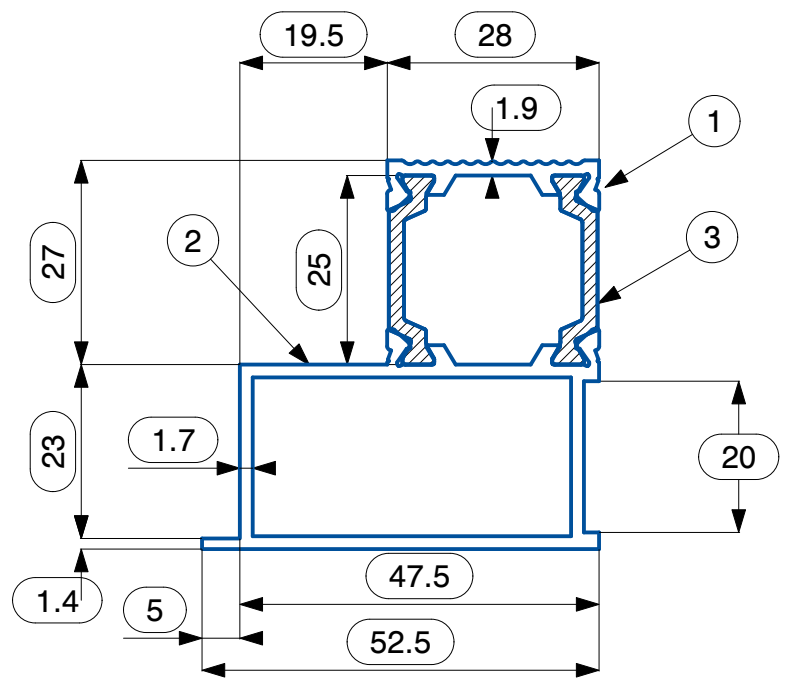
# REFERENCE STANDARDS - BSEN-755-9-2008

REV : 0


3	42-50-SR THERMAL BREAK POLY 25-C	VSPL/AHU/1025	TBPL-25-C
2	42-50-SR THERMAL BREAK OMEGA INNER	VSPL/AHU/5015	TBALOI-42-50-SR
1	42-50-SR THERMAL BREAK OMEGA OUTER	VSPL/AHU/5013	TBALOO-42-50-SR
NAME	DESCRIPTION	PART NO.	CODE

NOTE		
SL. NO.	NOTE	DESCRIPTION
1	<input type="checkbox"/>	INDICATES INSPECTION DIMENSION

REVISION HISTORY			
REV	DESCRIPTION	DATE	APPROVE



TOLERANCE #		APPROVALS		DATE
0.5 ~ < 10	±0.30	DRAWN	VISWA	27-01-2026
10 ~ < 25	±0.50	CHECKED	KALEEL	28-01-2026
25 ~ < 50	±0.70	APPROVED		
50 ~ < 100	±1.00	MATERIAL: EN AW 6063 - T6		
100 ~ < 150	±1.20	FINISH : MILL (Unless specified) Based on customer request on finish, below is applicable FOR ANODIZED : 5-10 MICRONS FOR POWDER COATED : 60-100 MICRONS		
THE MAXIMUM ALLOWABLE DEVIATION FOR ANY ANGLE IS ± 2°		PERIMETER: Ext : 183.89 mm    AREA: 481.82 mm² Int : -		
TWIST ALONG THE LENGTH = 3 mm/M		FLATNESS : 0.008 X WIDTH		
STRAIGHTNESS = 5 mm/M		CUT LENGTH: 6000 (±10) mm		
SCALE : 1:1		WEIGHT RANGE : 0.96 - 1.26 Kg/m		
CORNER & FILLET RADII : < 5 - ±0.5mm > 5 - ± 10%		ALL DIMENSIONS ARE IN mm (MILLIMETERS) UNTILL UNLESS SPECIFIED		




**VIVANT**  
SOLUTIONS

VIVANT SOLUTIONS PRIVATE LIMITED,  
PLOT NO: 329, SIDCO THIRUMULLAIVOYAL,  
CHENNAI, TAMILNADU, INDIA

TITLE : THERMAL BREAK SECTION JOINING SERATION PROFILE ASSEMBLY FOR 42-50 SYSTEM

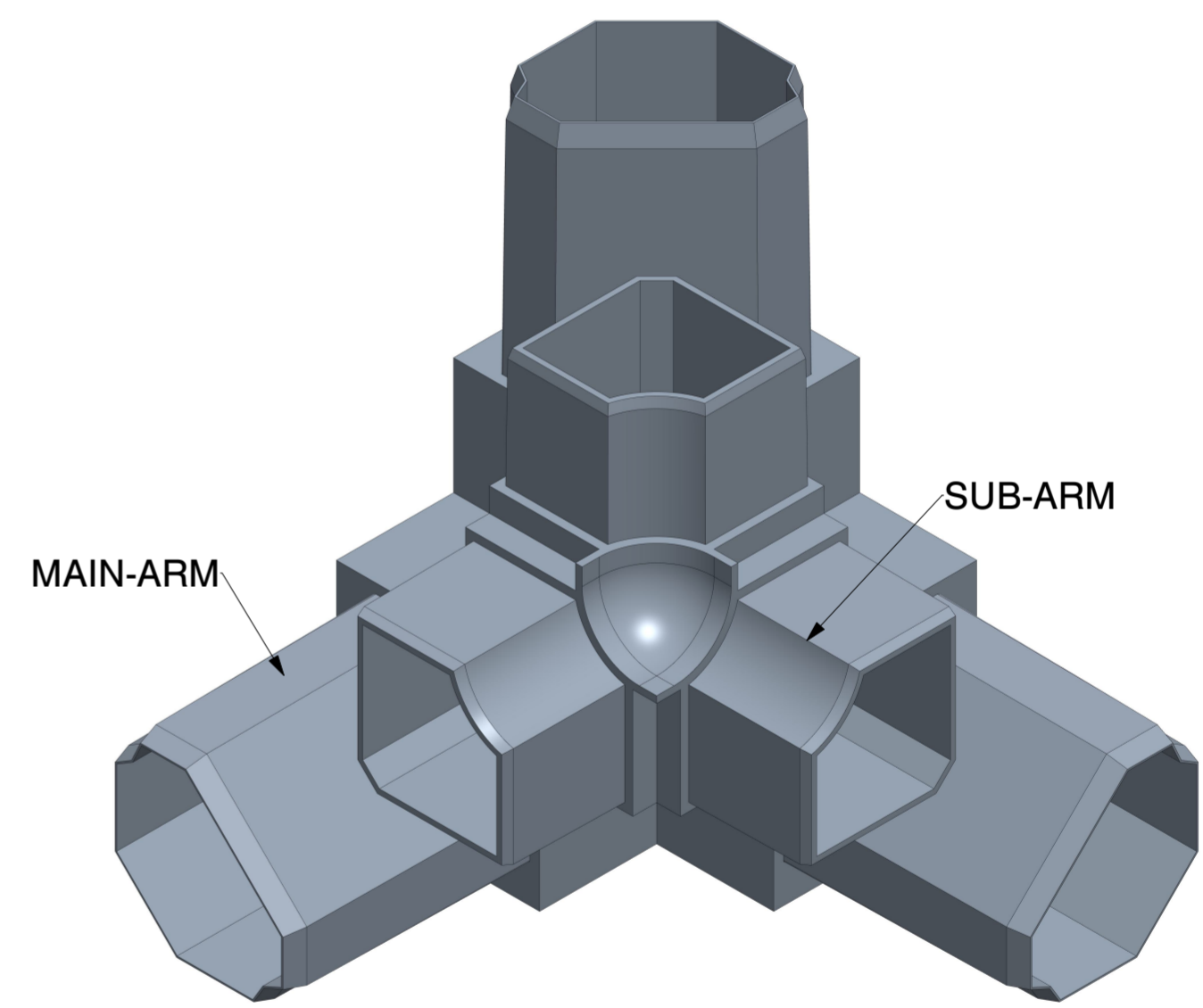
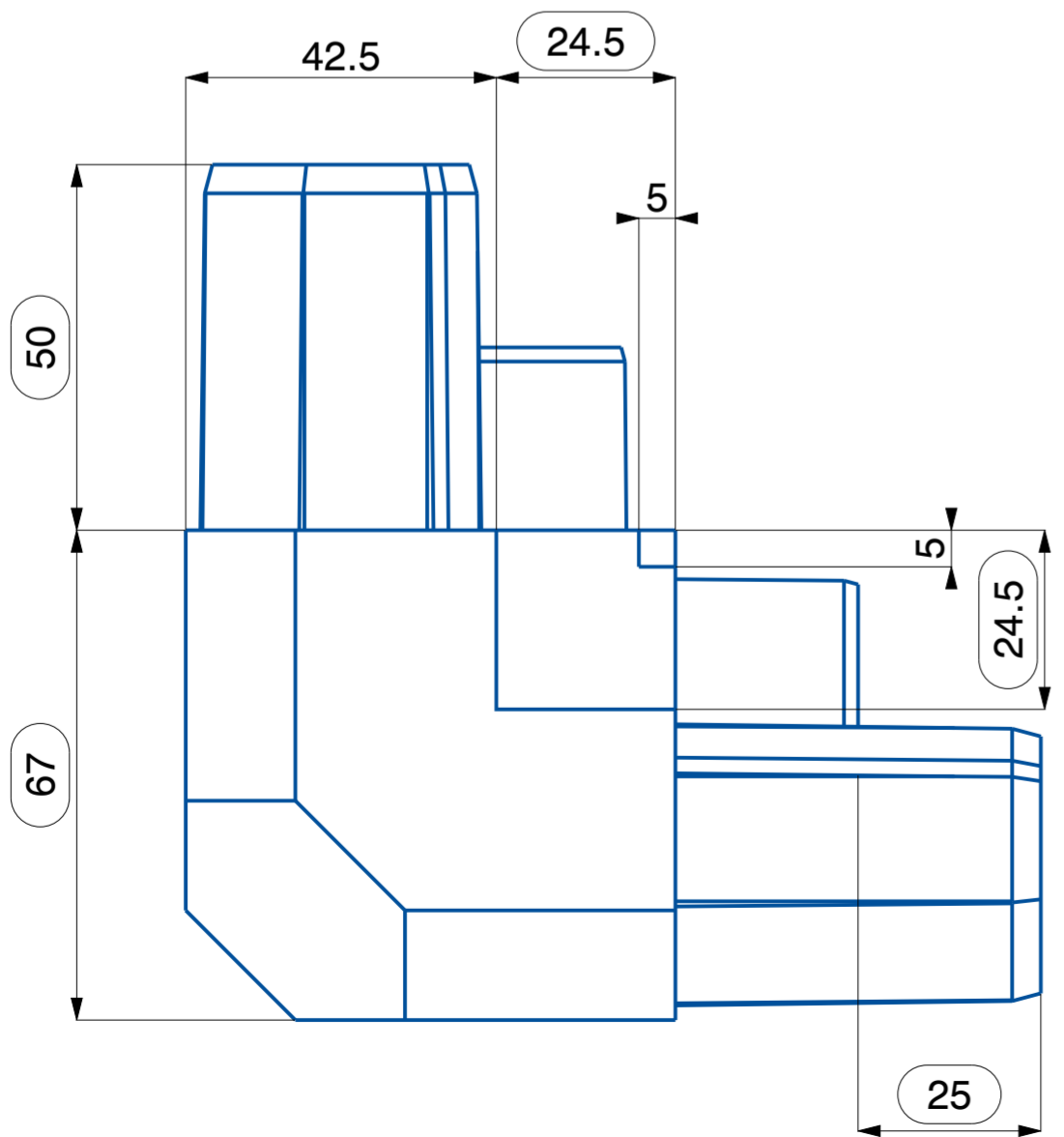
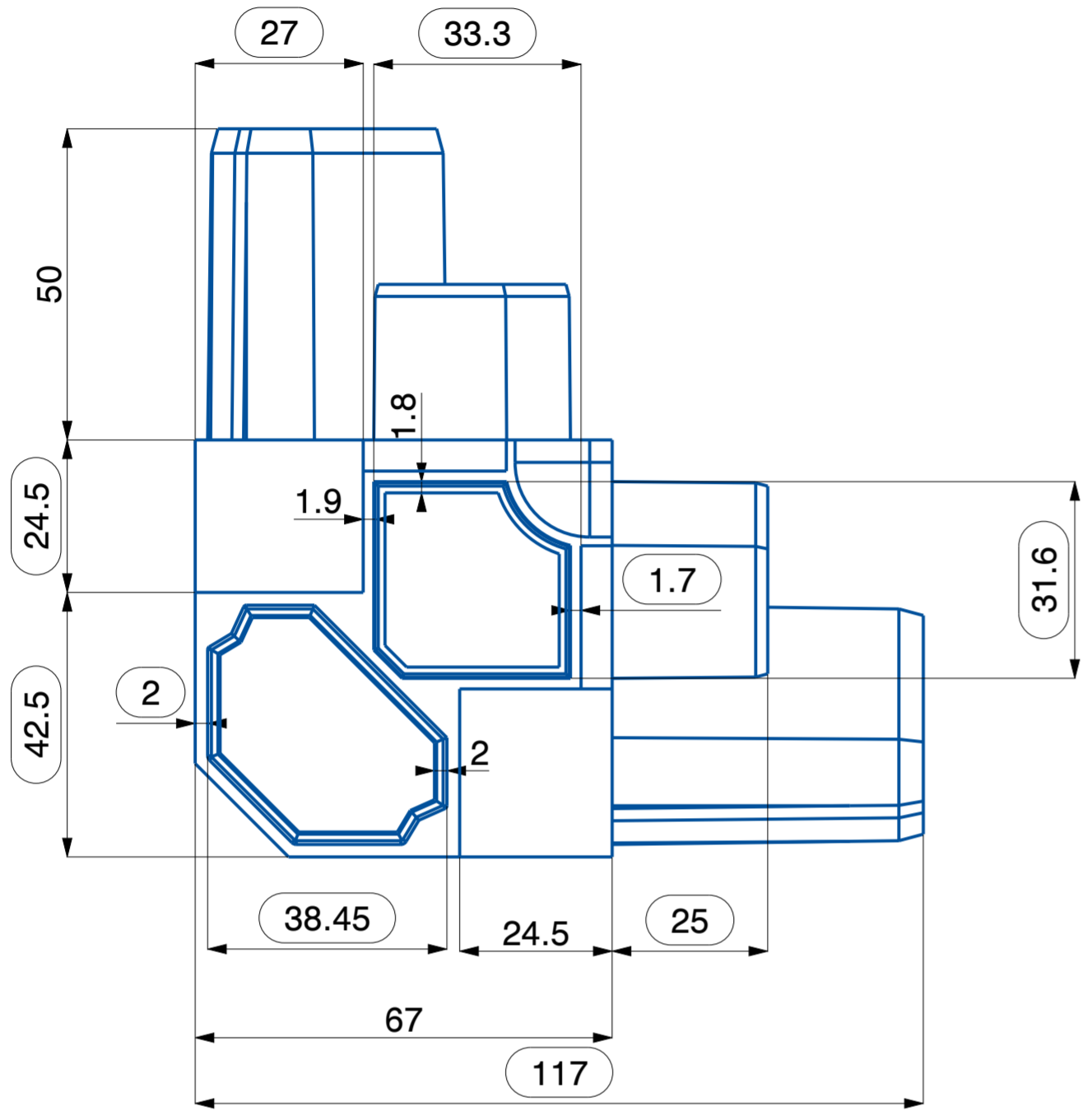
PART CODE : TBALSJ-42-50-SR

THIRD ANGLE PROJECTION	SIZE : A4
	RIBS : B = -
# REFERENCE STANDARDS - BSEN-755-9-2008	
REV : 0	

3	42-50-SR THERMAL BREAK POLY 25-C	VSPL/AHU/1025	TBPL-25-C
2	42-50-SR THERMAL BREAK SECTION JOINING INNER	VSPL/AHU/5018	TBALSJI-42-50-SR
1	42-50-SR THERMAL BREAK SECTION JOINING OUTER	VSPL/AHU/5019	TBALSJO-42-50-SR
NAME	DESCRIPTION	PART NO.	CODE

NOTE		
SL. NO.	NOTE	DESCRIPTION
1	□	INDICATES INSPECTION DIMENSION

REVISION HISTORY			
REV	DESCRIPTION	DATE	APPROVE



TOLERANCE #		APPROVALS		DATE
0.5 - < 11	± 0.30	DRAWN	SURYA	28-10-2023
11 - < 51	± 0.50	CHECKED	KALIL	28-10-2023
51 - < 80	± 0.70	APPROVED		
80 - < 120	± 1.00	MATERIAL: PA6 GF 30%		
> 120	± 1.20	WEIGHT RANGE : 213 - 233 grams		
-	-	COLOUR : BLACK		
-	-	THIRD ANGLE PROJECTION		
-	-			
-	-			
WARPAGE = ± 5 mm				
THE MAXIMUM ALLOWABLE DEVIATION FOR ANY ANGLE IS ± 2°				

**VIVANT SOLUTIONS**  
 VIVANT SOLUTIONS PRIVATE LIMITED,  
 PLOT NO: 329, SIDCO THIRUMULLAIVOYAL,  
 CHENNAI, TAMILNADU, INDIA

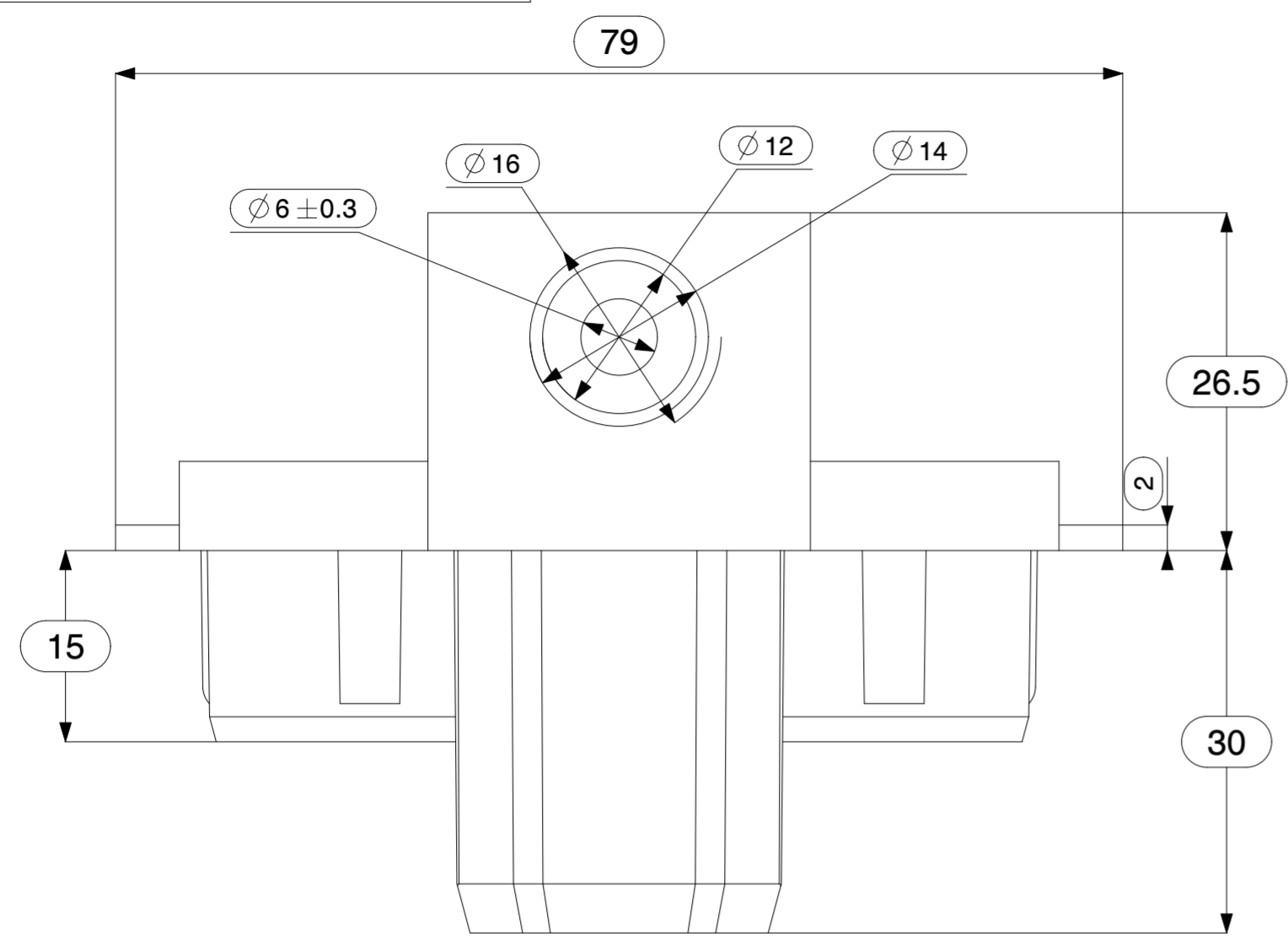
TITLE: 3 - WAY THERMAL BREAK NYLON CORNER FOR 42-50 SYSTEM  
 PART NO: TBNYC-42-50  
 FINISH : SHOT BLASTING

SIZE : A2	SCALE : 1:1	REV : 0
-----------	-------------	---------

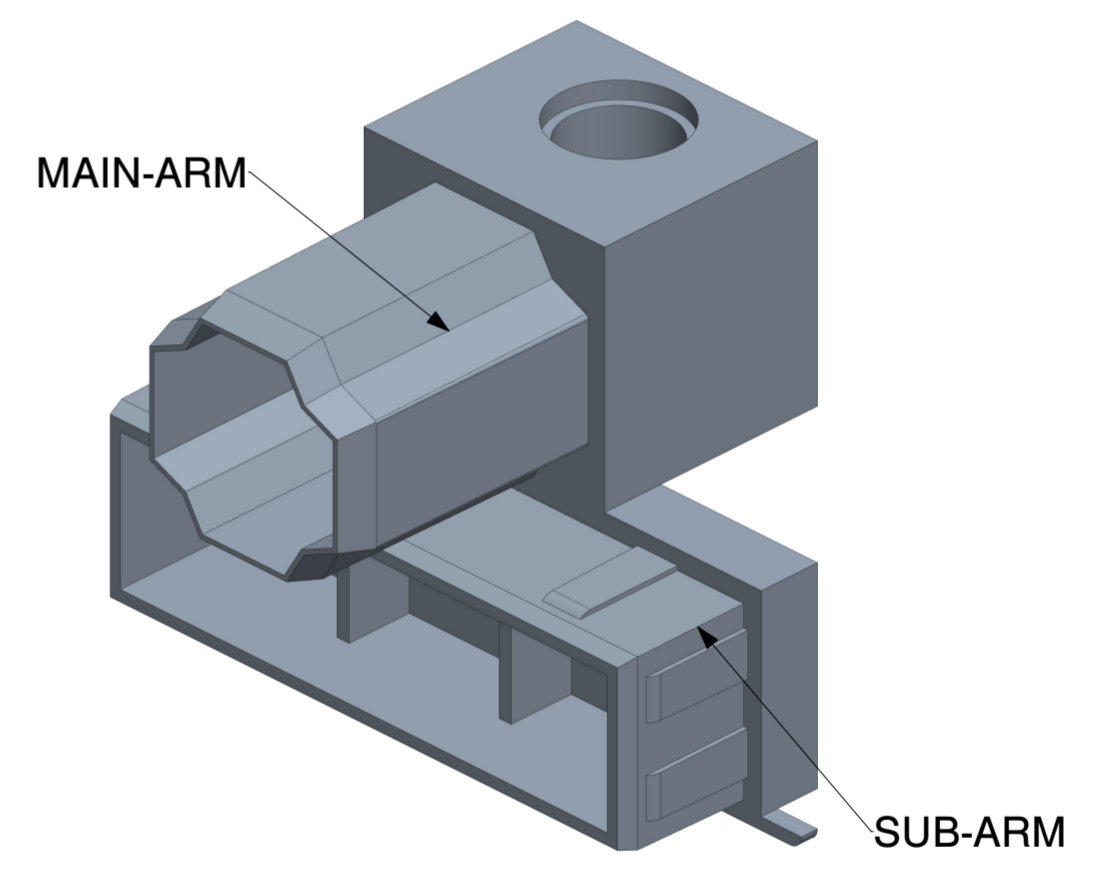
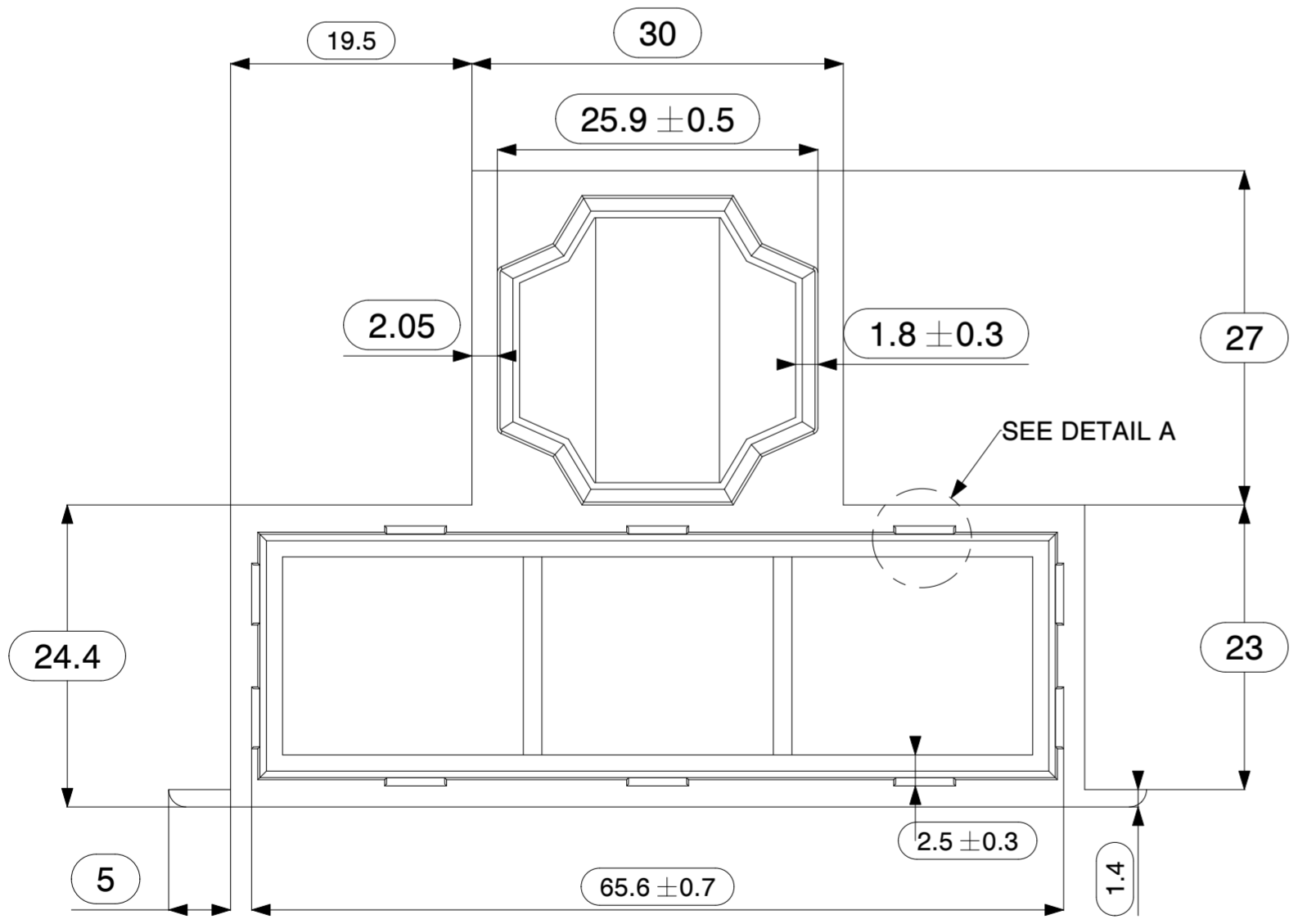
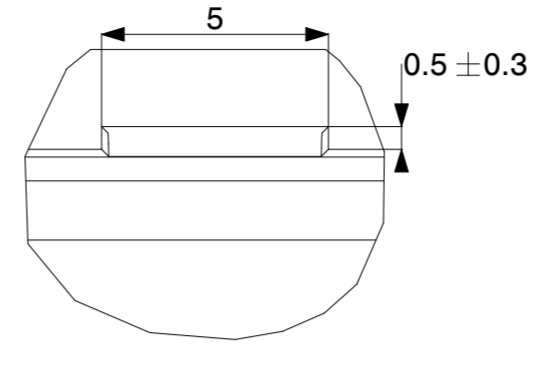
# REFERENCE STANDARDS : ISO 286 - IT 11

NOTE		
SL. NO.	NOTE	DESCRIPTION
1	□	INDICATES INSPECTION DIMENSION


REVISION HISTORY			
REV	DESCRIPTION	DATE	APPROVE



DETAIL A  
SCALE 6.000



TOLERANCE #		APPROVALS		DATE
0.5 - < 11	$\pm 0.30$	DRAWN	SURYA	28-10-2023
11 - < 51	$\pm 0.50$	CHECKED	KALIL	20-01-2026
51 - < 80	$\pm 0.70$	APPROVED		
80 - < 120	$\pm 1.00$	MATERIAL: PA6 GF 30%		
> 120	$\pm 1.20$	WEIGHT RANGE : 21 - 41 grams		
-	-	COLOUR : BLACK		
-	-	THIRD ANGLE PROJECTION		
-	-			
-	-			
WARPAGE = $\pm 5$ mm		SIZE : A2		SCALE : 2:1
THE MAXIMUM ALLOWABLE DEVIATION FOR ANY ANGLE IS $\pm 2^\circ$		ALL DIMENSIONS ARE IN mm (MILLIMETERS)		REV : 0

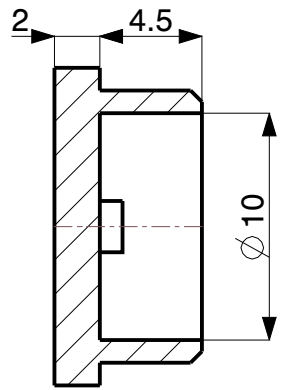
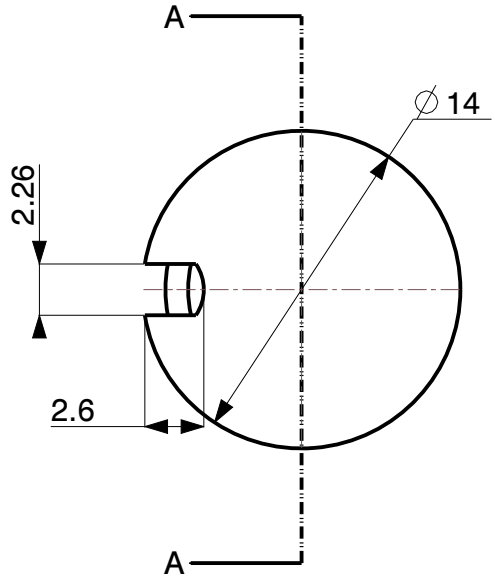
  
**VIVANT SOLUTIONS**  
 VIVANT SOLUTIONS PRIVATE LIMITED,  
 PLOT NO: 329, SIDCO THIRUMULLAIVOYAL,  
 CHENNAI, TAMILNADU, INDIA

TITLE: THERMAL BREAK NYLON OMEGA JOINT FOR 42-50 SYSTEM  
 PART NO: TBNYO-42-50  
 FINISH : SHOT BLASTING

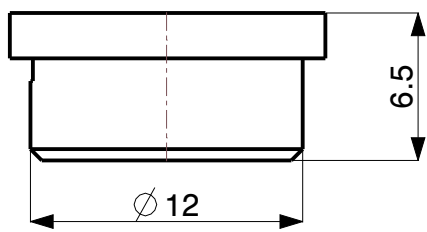
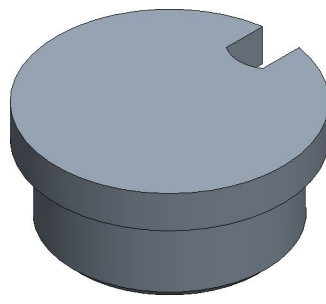
# REFERENCE STANDARDS : ISO 286 - IT 11

MANUFACTURING NOTE		
SL. NO.	NOTE	DESCRIPTION
1	□	INDICATES INSPECTION DIMENSION


REVISION HISTORY			
REV	DESCRIPTION	DATE	APPROVE



SECTION A-A



TOLERANCE #		APPROVALS		DATE
0.5 - < 11	± 0.30	DRAWN	DHANASEKAR	02-04-2026
11 - < 51	± 0.50	CHECKED	VISWA	02-04-2026
51 - < 80	± 0.70	APPROVED	KALEEL	
80 - < 120	± 1.00	MATERIAL: PA6 GF 30%		
> 120	± 1.20	WEIGHT : 0.60 grams		
-	-	COLOUR : BLACK		
-	-	THIRD ANGLE PROJECTION		
-	-			
-	-			
-	-			
-	-			
WARPAGE = ± 5 mm				
THE MAXIMUM ALLOWABLE DEVIATION FOR ANY ANGLE IS ± 2°		ALL DIMENSIONS ARE IN mm (MILLIMETERS) UNTILL UNLESS SPECIFIED		



**VIVANT SOLUTIONS**  
 VIVANT SOLUTIONS PRIVATE LIMITED,  
 PLOT NO: 329, SIDCO THIRUMULLAIVOYAL,  
 CHENNAI, TAMILNADU, INDIA

TITLE : THERMAL BREAK OMEGA CAP FOR 42-50-SR		
PART CODE : NY-TBOJC-42-50-SR		
FINISH : SHOT BLASTING		
SIZE : A4	SCALE : 3:1	REV : 0
# REFERENCE STANDARDS - ISO 286 - IT 13		

1  
2  
3  
4  
5  
6

1  
2  
3  
4  
5  
6

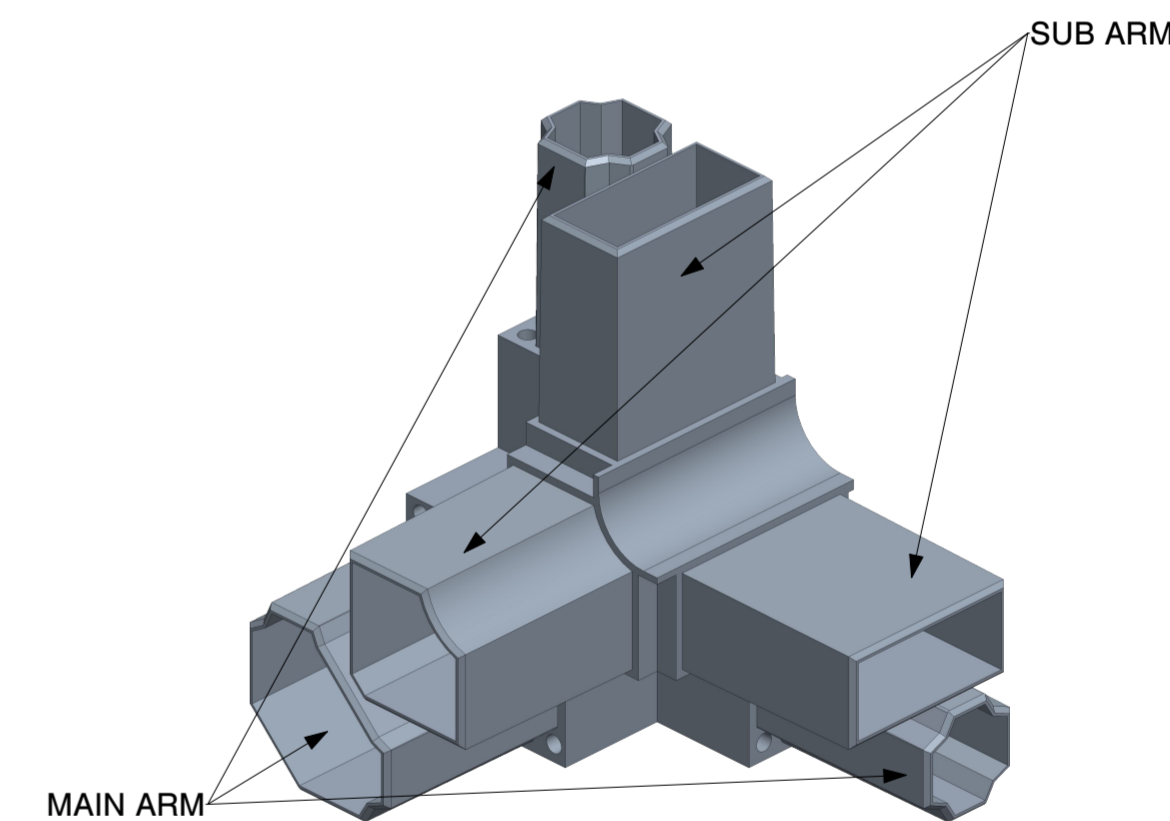
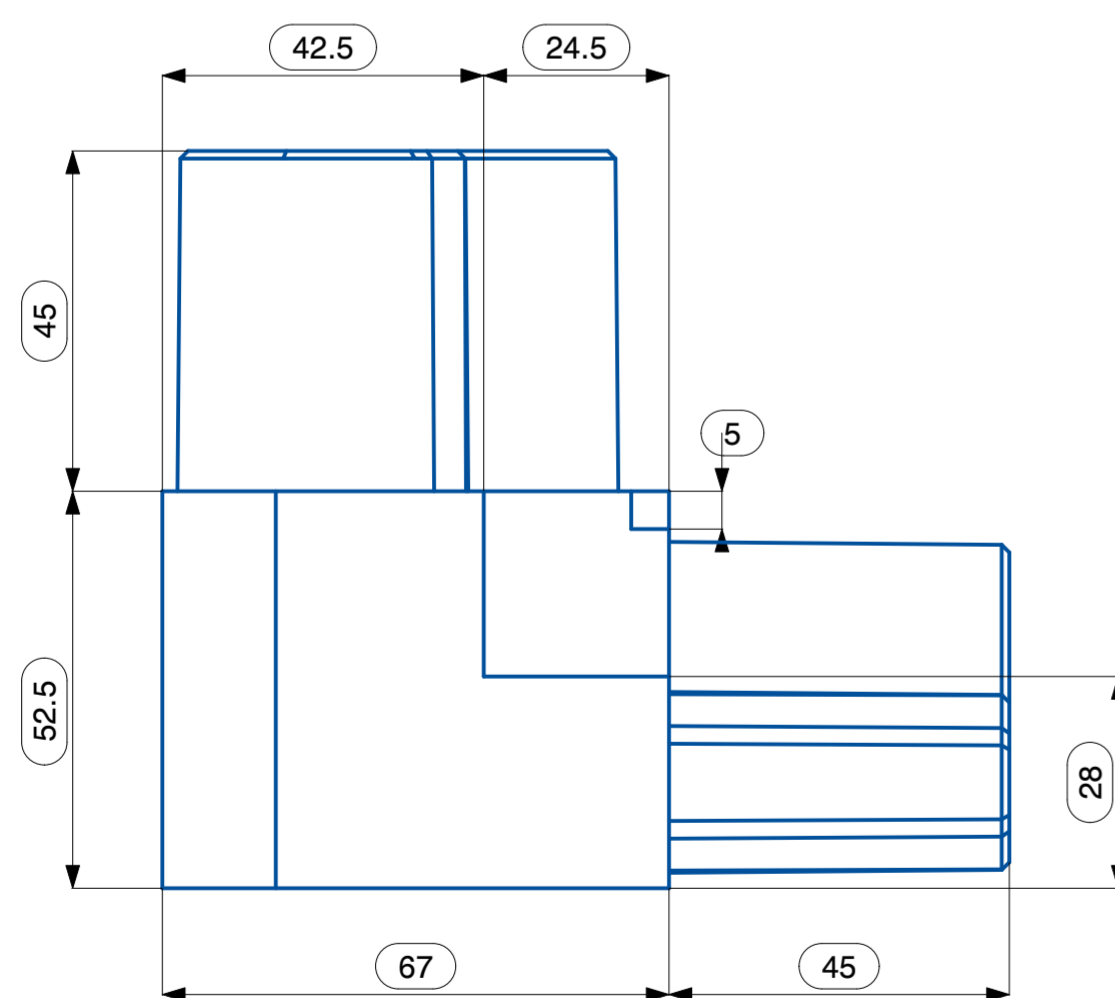
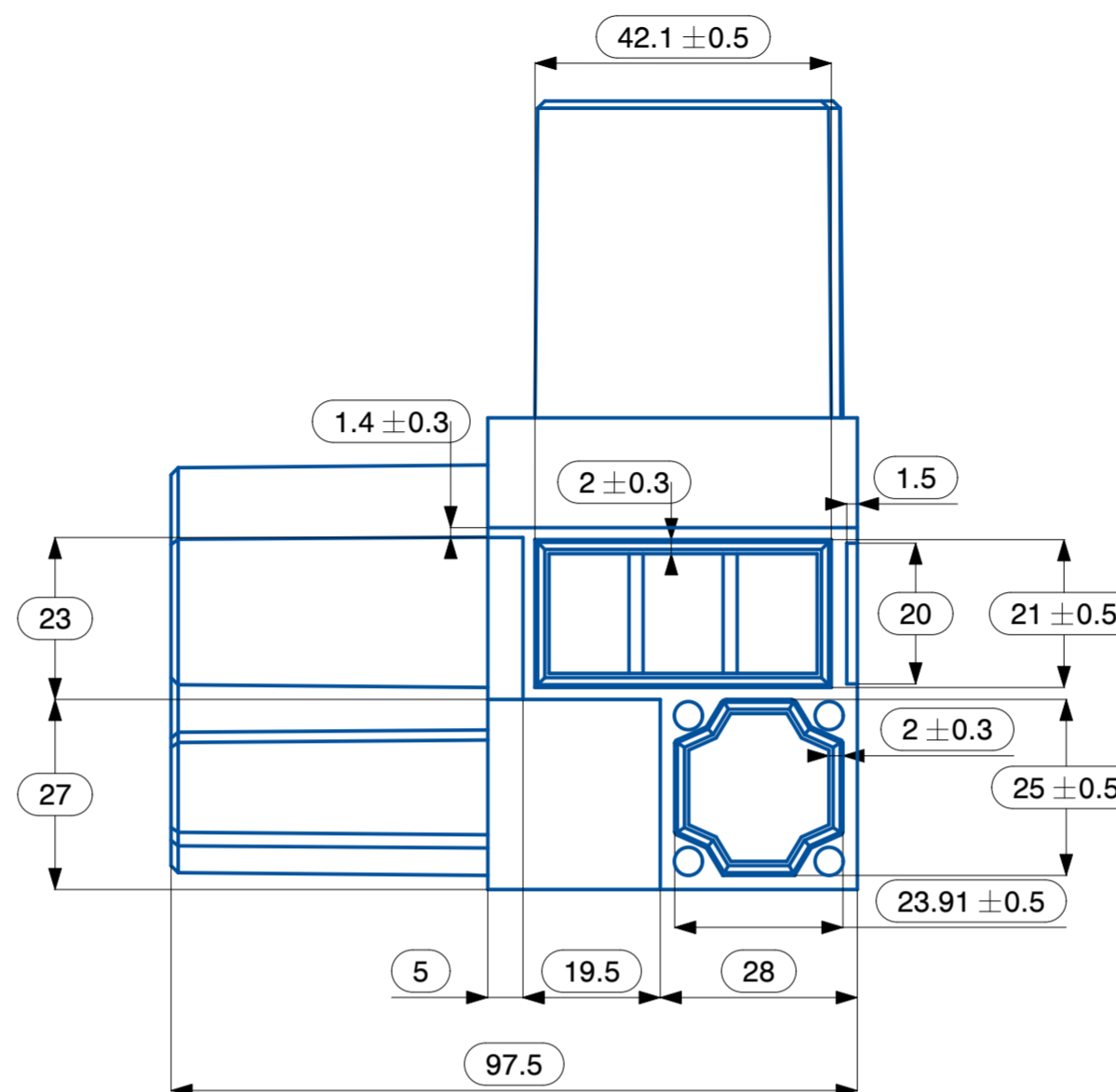
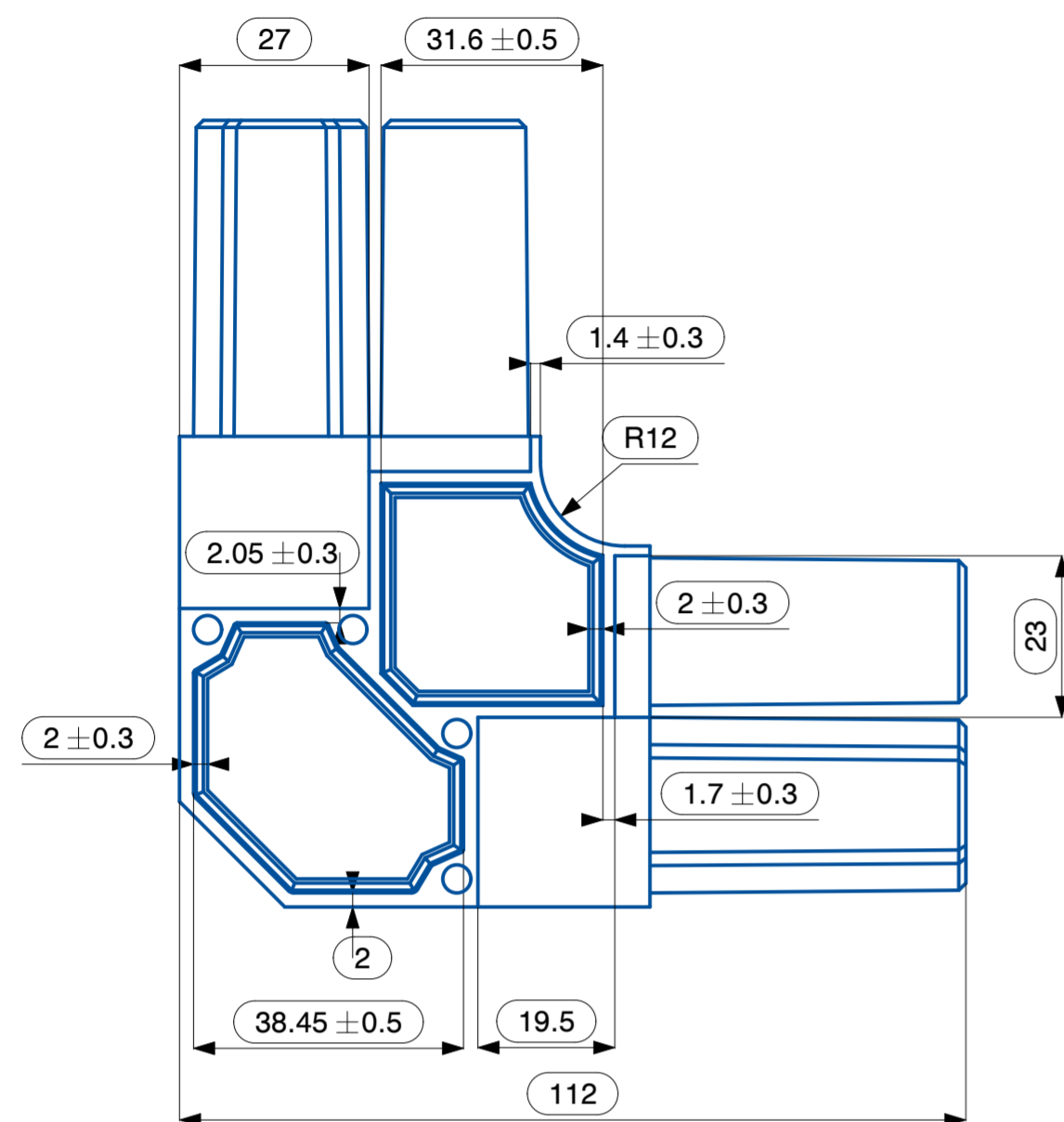
A B C D E F G H I

NOTE

SL. NO.	NOTE	DESCRIPTION
1	□	INDICATES INSPECTION DIMENSION

REVISION HISTORY

REV	DESCRIPTION	DATE	APPROVE



TOLERANCE #		APPROVALS		DATE
0.5 - < 11	± 0.30	DRAWN	SURYA	28-10-2023
11 - < 51	± 0.50	CHECKED	KALIL	20-01-2026
51 - < 80	± 0.70	APPROVED		
80 - < 120	± 1.00	MATERIAL: PA6 GF 30%		
> 120	± 1.20	WEIGHT RANGE : 166 - 186 grams		
-	-	COLOUR : BLACK		
-	-	THIRD ANGLE PROJECTION		
-	-			
-	-			
WARPAGE = ± 5 mm				
THE MAXIMUM ALLOWABLE DEVIATION FOR ANY ANGLE IS ± 2°				
ALL DIMENSIONS ARE IN mm (MILLIMETERS)				



VIVANT SOLUTIONS PRIVATE LIMITED,  
PLOT NO: 329, SIDCO THIRUMULLAIVOYAL,  
CHENNAI, TAMILNADU, INDIA

TITLE: 3 - WAY THERMAL BREAK NYLON SECTION JOINING FOR 42-50 SYSTEM

PART NO: TBNYSJ-42-50

FINISH : SHOT BLASTING

SIZE : A2

SCALE : 1:1

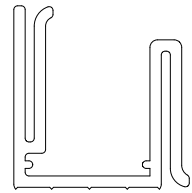
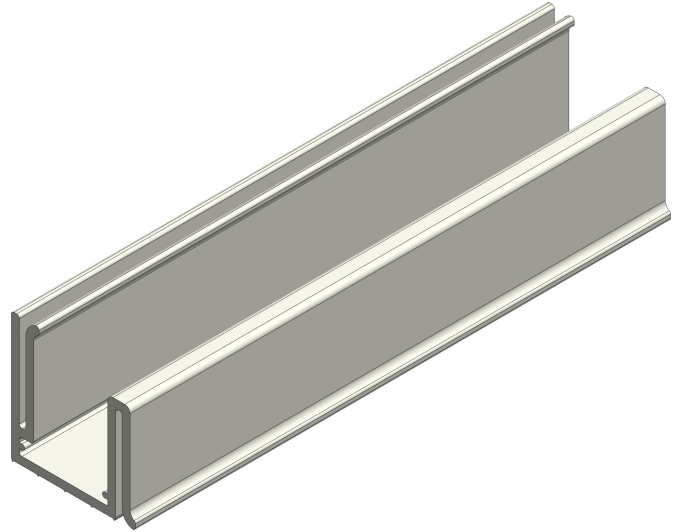
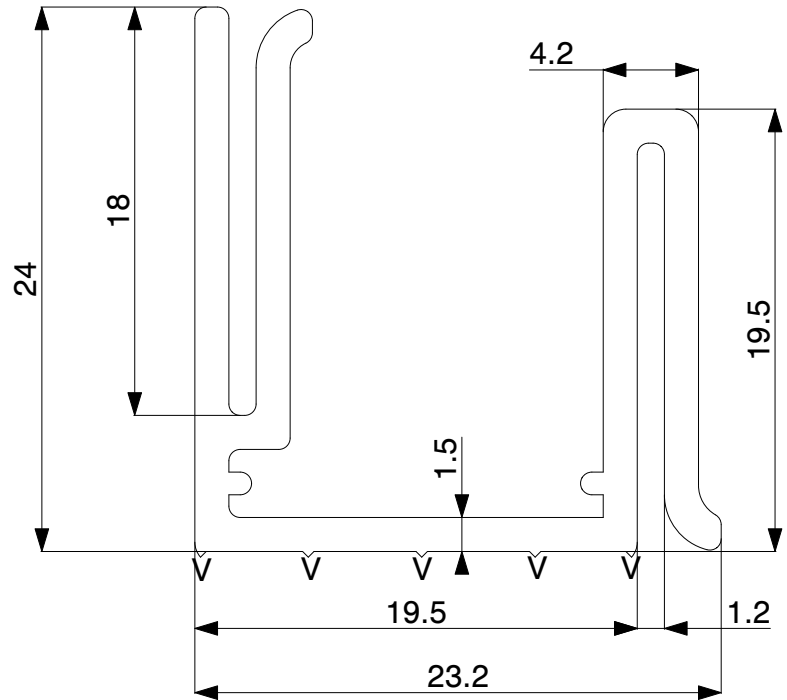
REV : 0

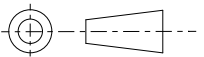
# REFERENCE STANDARDS : ISO 286 - IT 11




NOTE		
SL. NO.	NOTE	DESCRIPTION
1	<input type="checkbox"/>	INDICATES INSPECTION DIMENSION

REVISION HISTORY			
REV	DESCRIPTION	DATE	APPROVE



TOLERANCE #		APPROVALS		DATE
0.5 ~ < 10	±0.30	DRAWN	DHANASEKAR	03-04-2026
10 ~ < 25	±0.50	CHECKED	VISWA	03-04-2026
25 ~ < 50	±0.70	APPROVED	KALEEL	
50 ~ < 100	±1.00	MATERIAL: PVC-U		
100 ~ < 150	±1.20	COLOUR : RAL 9016		
THE MAXIMUM ALLOWABLE DEVIATION FOR ANY ANGLE IS ± 2°		FINISH : GLOSSY		
TWIST ALONG THE LENGTH = 3 mm/M		AREA: 154.50 mm²		
STRAIGHTNESS = 5 mm/M		WEIGHT RANGE : 0.199 - 0.229 Kg/m		PART CODE : TB-PVC-PB-50-25
FLATNESS : 0.008 X WIDTH		CUT LENGTH: 3000 (±10) mm		THIRD ANGLE PROJECTION
WARPAGE = ±5 mm		WORKING TEMPERATURE: 50 ±5 (°C)		 RIBS: V = 0.25 X 90°(5 PLACES)
CORNER & FILLET RADII : <5 - ±0.5mm >5 - ± 10%		ALL DIMENSIONS ARE IN mm (MILLIMETERS) UNTILL UNLESS SPECIFIED		



**VIVANT SOLUTIONS**  
 VIVANT SOLUTIONS PRIVATE LIMITED,  
 PLOT NO: 329, SIDCO THIRUMULLAIVOYAL,  
 CHENNAI, TAMILNADU, INDIA

TITLE : THERMAL BREAK PANEL BREAKER MODEL 2 FOR 42-50 SYSTEM

SCALE: 3:1, 1:1

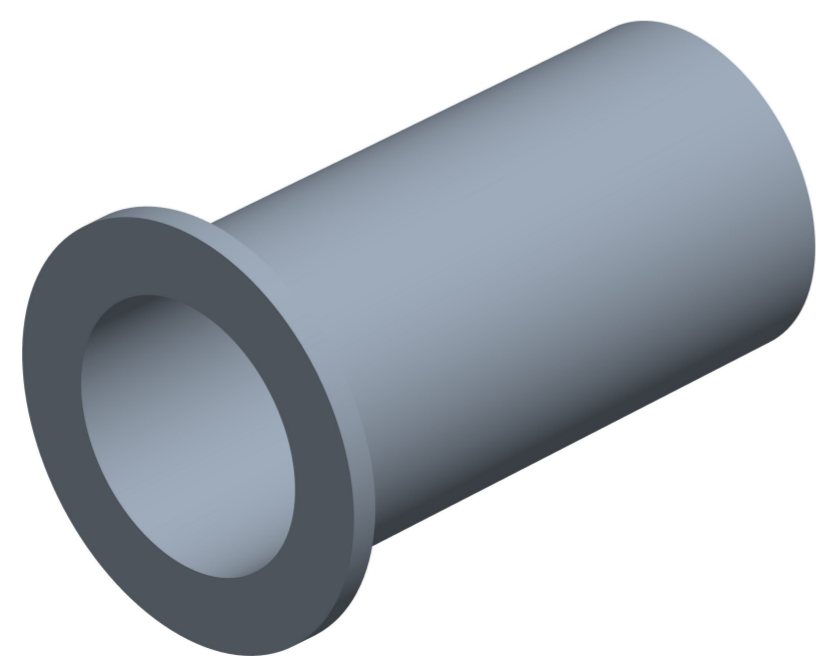
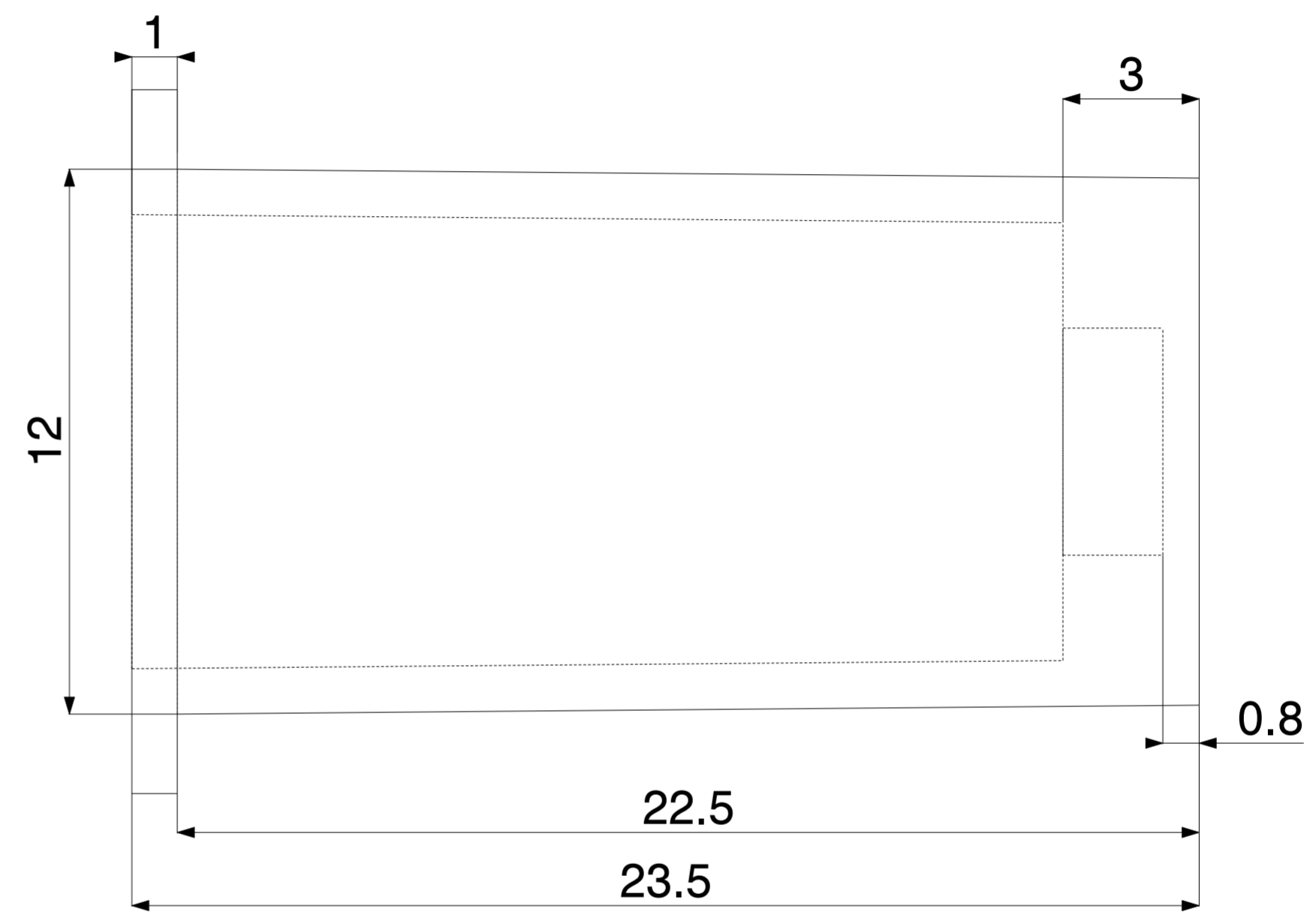
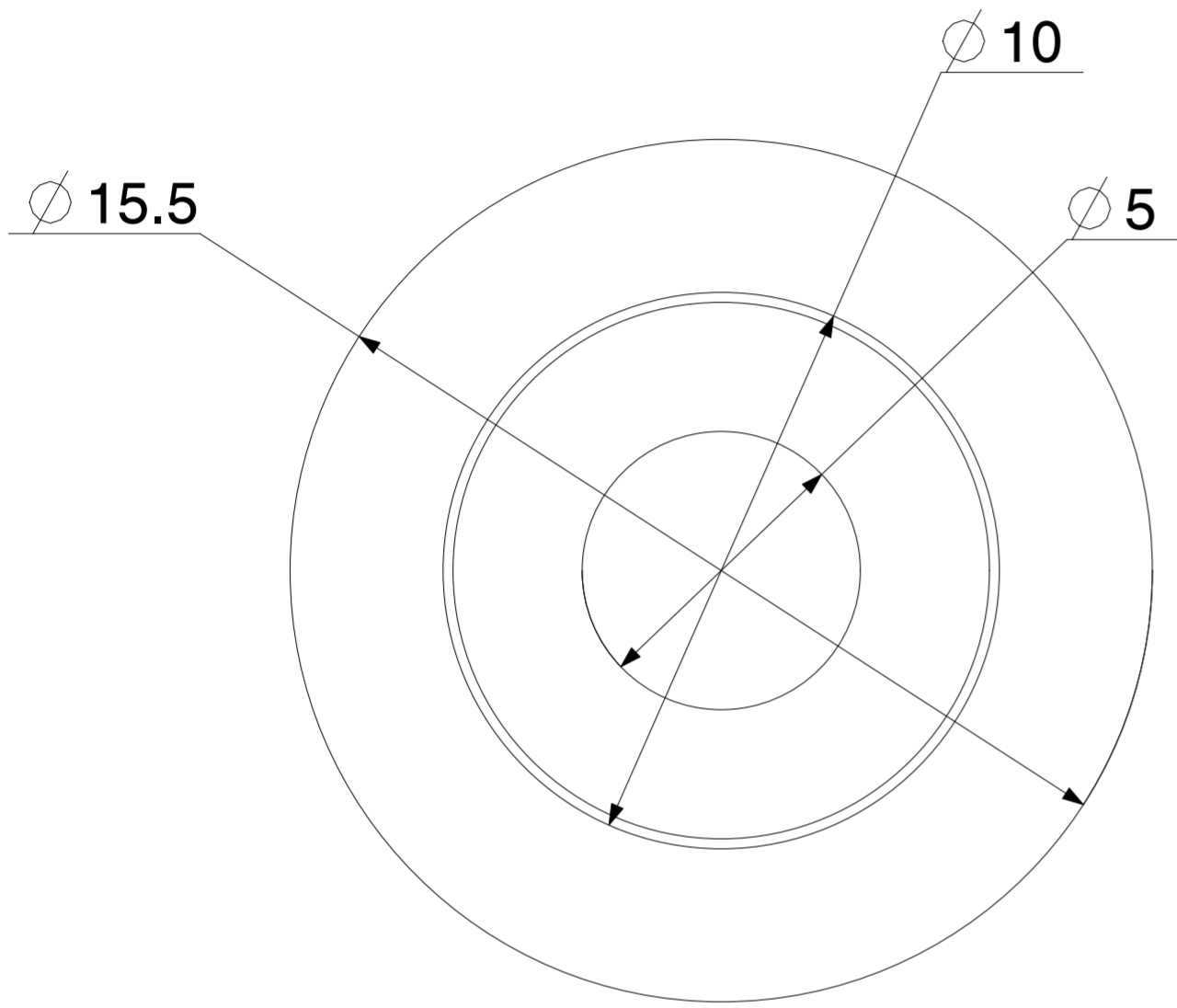
SIZE : A4

# REFERENCE STANDARDS - BSEN-755-9-2008


REV : 0

NOTE		
SL. NO.	NOTE	DESCRIPTION
1	☐	INDICATES INSPECTION DIMENSION

REVISION HISTORY			
REV	DESCRIPTION	DATE	APPROVE
1	INNER WALL DEPTH HAS BEEN DECREASED AND HIDDEN OF HOLE	16/08/2017	ADITYA
2	INNER DEPTH CHENGED FROM 21.5 mm TO 17.5 mm	18/08/2017	ADITYA



TOLERANCE #		APPROVALS		DATE
0.5 - < 11	± 0.30	DRAWN	DHANASEKAR	30-03-2026
11 - < 51	± 0.50	CHECKED	VISWA	30-03-2026
51 - < 80	± 0.70	APPROVED	KALEEL	
80 - < 120	± 1.00	MATERIAL: PA6 GF 30%		
> 120	± 1.20	WEIGHT : 1.42 grams		
-	-	COLOUR : BLACK		
-	-	THIRD ANGLE PROJECTION		
-	-			
-	-			
WARPAGE = ± 5 mm		SIZE : A2		
THE MAXIMUM ALLOWABLE DEVIATION FOR ANY ANGLE IS ± 2°		SCALE : 8:1		
		REV : 2		

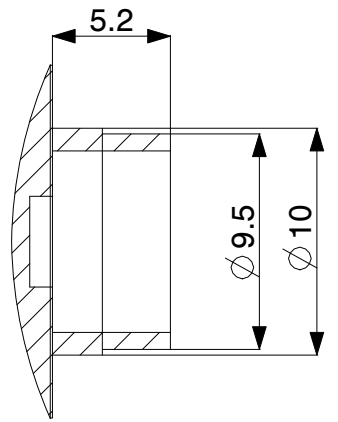
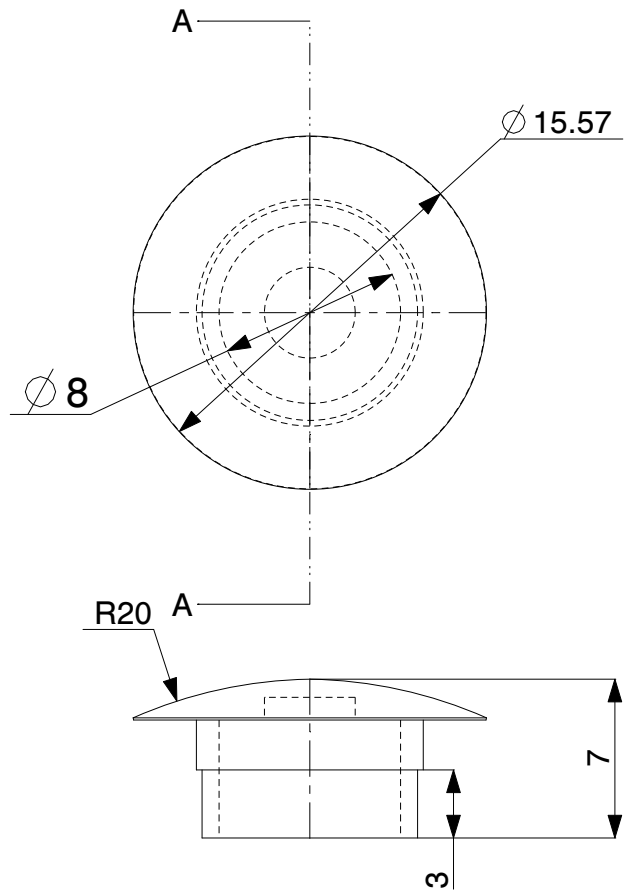
  
**VIVANT SOLUTIONS**  
 VIVANT SOLUTIONS PRIVATE LIMITED,  
 PLOT NO: 329, SIDCO THIRUMULLAIVOYAL,  
 CHENNAI, TAMILNADU, INDIA

TITLE: SCREW SLEEVE FOR 23B/25B/45Z/50Z PANEL MODEL - 1  
 PART NO: NY-SL-B2325Z4550-M1  
 FINISH : SHOT BLASTING

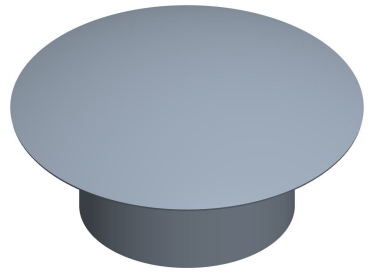
# REFERENCE STANDARDS : ISO 286 - IT 13

MANUFACTURING NOTE		
SL. NO.	NOTE	DESCRIPTION
1	□	INDICATES INSPECTION DIMENSION

REVISION HISTORY			
REV	DESCRIPTION	DATE	APPROVE
1	OUTER DIAMETER CHANGED FROM 15 mm TO 16 mm WITH 0.05mm CHAMFER IN THE DIAMETER	19/05/2019	ADITYA



SECTION A-A



TOLERANCE #		APPROVALS		DATE
0.5 - < 11	± 0.30	DRAWN	DHANASEKAR	02-04-2026
11 - < 51	± 0.50	CHECKED	VISWA	02-04-2026
51 - < 80	± 0.70	APPROVED	KALEEL	
80 - < 120	± 1.00	MATERIAL: PA6 GF 30%		
> 120	± 1.20	WEIGHT : 0.39 grams		
-	-	COLOUR : BLACK		
-	-	THIRD ANGLE PROJECTION		
-	-			
-	-			
-	-			
-	-			
WARPAGE = ± 5 mm				
THE MAXIMUM ALLOWABLE DEVIATION FOR ANY ANGLE IS ± 2°		ALL DIMENSIONS ARE IN mm (MILLIMETERS) UNTILL UNLESS SPECIFIED		

**VIVANT<sup>®</sup>**  
SOLUTIONS

VIVANT SOLUTIONS PRIVATE LIMITED,  
PLOT NO: 329, SIDCO THIRUMULLAIVOYAL,  
CHENNAI, TAMILNADU, INDIA

TITLE : SCREW SLEEVE STANDARD COMMON CAP		
PART CODE : NYSL-STD-CAP		
FINISH : SHOT BLASTING		
SIZE : A4	SCALE : 3:1	REV : 1
# REFERENCE STANDARDS - ISO 286 - IT 13		

1  
2  
3  
4  
5  
6

1  
2  
3  
4  
5  
6

A B C D E F G H I